



公司简介 Company profile



常州博宏电器有限公司专业从事步进电机，无刷电机，交流伺服电机及驱动系统等产品的研发，生产及销售；严格按照国际标准为全球工控行业提供高质量产品；依靠齐全的检测设备、完善的检测手段、严格的质量标准，我们一直致力于提高产品的质量和性能，拥有完善快捷的技术支持和产品售后服务。

目前公司产品大量出口至美国、意大利、德国等欧洲一些经济发达国家，公司已通过ISO9000:2008体系认证，公司产品已通过CE ROHS UL认证。获得国内外一致好评！

公司拥有一批高素质经验丰富的管理人才和技术人才，公司一贯秉承“产品质量可靠，服务诚信周到；管理系统有效，技术不断创新；体系持续改进，增强客户满意”的质量方针。

在企业多年的发展过程中，通过过硬的产品质量及技术方案，为国内外客户解决大量技术难题。产品主要涉及到三维打印机、工业机器人、医疗器械、办公自动化、电子、印刷设备、纺织机械、监控系统、计算机、广告设备、舞台灯光喷泉设备、数控机床、激光雕刻、电脑绣花、标记机、雕刻机、绕线机械、坐标测量仪器、XYZ三维工作台、陶瓷机械等行业中。

Changzhou Bo Hong Electric Appliance Co.,Ltd is seated in Lucheng town, Qishuyan district of Changzhou, which is a water Town with beautiful landscape, developed economy and convenient transportation. The company is specialized in R&D, production and sales of stepping motors, Brushless motors, AC servo motors and drive systems. With complete testing equipment, advanced testing methods and strict standards, we devote ourselves to improving the quality and performance of our products and to provide high quality products as per international standards for global engineering-control industry with excellent and quick technical support as well as aftersales service.

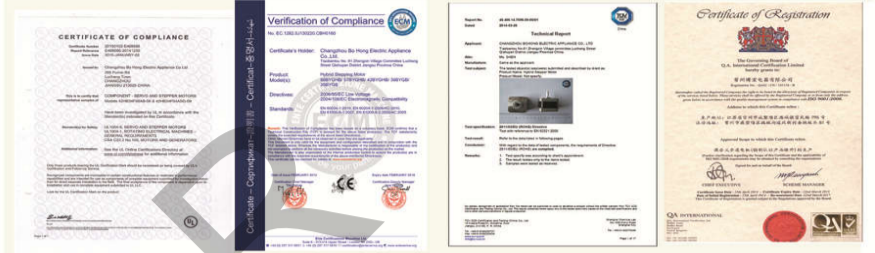
Our products mainly export to developed countries such as USA, Italy, Germany. All the products comply with standards of CE & ROHS UL and have great reputation both in domestic and overseas market.

The company owns a group of excellent and experienced management & Technical stuff. We insists the principle: "Reliable Quality, thoughtful & honest service, systemized & efficient management, innovative technology, improved system, enhance customers' satisfaction". After many year's development, we settled many technical difficulty for home and abroad customers by our excellent product quality and technical solution. The products mainly applied in industries of robots, medical equipment, office automation, electronics, printing equipment, textile machinery, monitoring system, computer, advertising equipment, stage lighting, the NC machine etc.



博宏电机
BOHONG MOTOR

公司证书

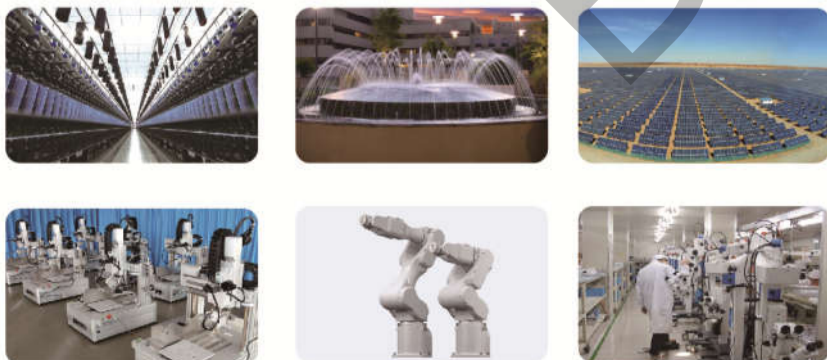


公司简介



常州博宏电器有限公司

Application fields 应用领域



混合式步进电机



直线电机



减速步进电机



直流无刷电机



闭环步进电机



交流伺服电机



混合式步进电机(HYBRID STEPPING MOTOR)

28HB 1.8°

项目	Item	性能 Specifications
步距角	Step Angle	1.8°
步距角精度	Step Angle Accuracy	±5% (full Step, no load)
电阻公差	Resistance Accuracy	±10%
电感公差	Inductance Accuracy	±20%
温升	Temperature Rise	80° C Max. (rated current, 2 phase on)
环境温度	Ambient Temperature	-20° C ~ +50° C
绝缘电阻	Insulation Resistance	100MΩ Min. , 500VDC
介电强度	Dielectric Strength	500VAC for one minute
转轴径向跳动	Shaft Radial Play	0.02Max. (450 g-load)
转轴轴向间隙	Shaft Axial Play	0.08Max. (450 g-load)
绝缘等级	Insulation Class	B



技术规格 Technique Specification

型号 Series Model	机身長 Motor Length L(mm)	电流 Rated Current (A)	电阻 Phase Resistance (Ω)	电感 Phase Inductance (mH)	静力矩 Holding Torque (Kg.cm)	引线数 Lead Wire (NO.)	转动惯量 Rotor Inertia (g.cm ²)	重量 Motor Weight (g)
28HB31F068B	31	0.68	5.6	3.4	0.6	4	9	110
28HB31F095B	31	0.95	2.8	2.3	0.6	4	9	110
28HB44F095B	44	0.95	4.7	3.7	0.9	4	12	140
28HB44F068B	44	0.68	6.8	4.9	0.95	4	12	140
28HB51F095B	51	0.95	5.6	5.0	1.1	4	18	180
28HB51S095B	51	0.95	4.6	1.8	0.9	4	18	180

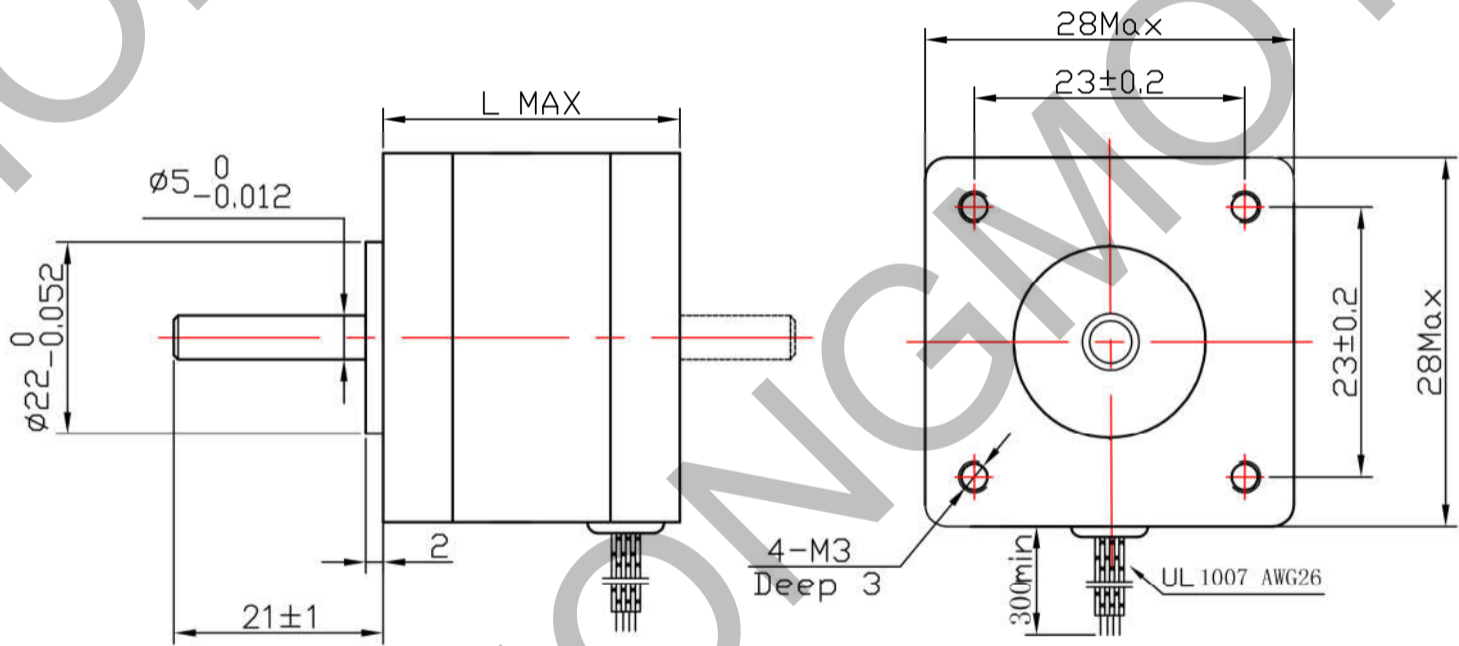
以上仅为代表性产品，派生产可根据客户要求制作！ We also manufacture products according to customer

外形图 Dimensions

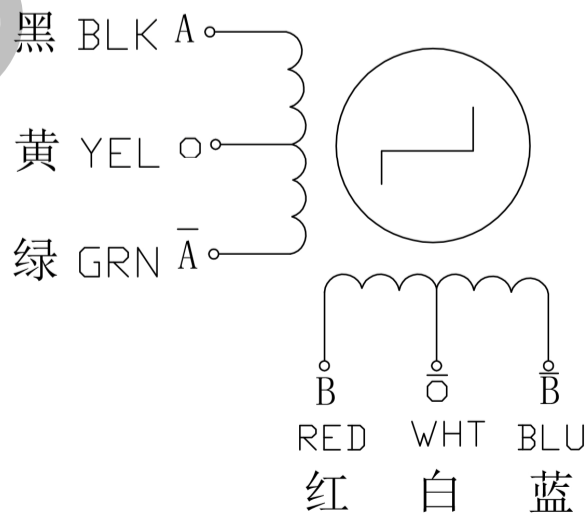
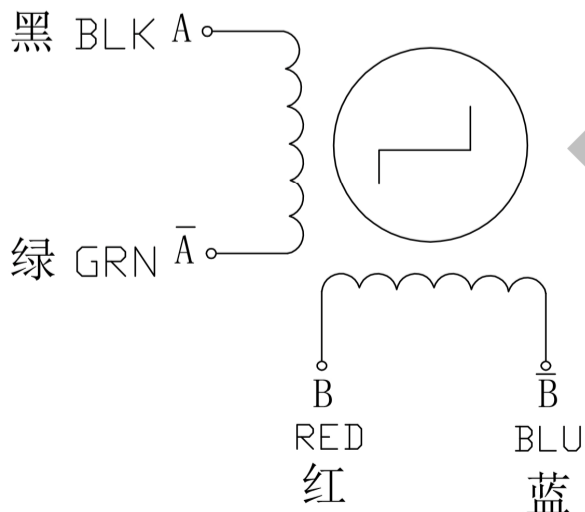
出轴方式

D型轴

圆轴



接线图 Wiring Diagram



混合式步进电机(HYBRID STEPPING MOTOR)

35HB 1.8°

项目	Item	性能 Specifications
步距角	Step Angle	1.8°
步距角精度	Step Angle Accuracy	±5% (full Step, no load)
电阻公差	Resistance Accuracy	±10%
电感公差	Inductance Accuracy	±20%
温升	Temperature Rise	80° C Max. (rated current, 2 phase on)
环境温度	Ambient Temperature	-20° C ~ +50° C
绝缘电阻	Insulation Resistance	100MΩ Min. , 500VDC
介电强度	Dielectric Strength	500VAC for one minute
转轴径向跳动	Shaft Radial Play	0.02Max. (450 g-load)
转轴轴向间隙	Shaft Axial Play	0.08Max. (450 g-load)
绝缘等级	Insulation Class	B



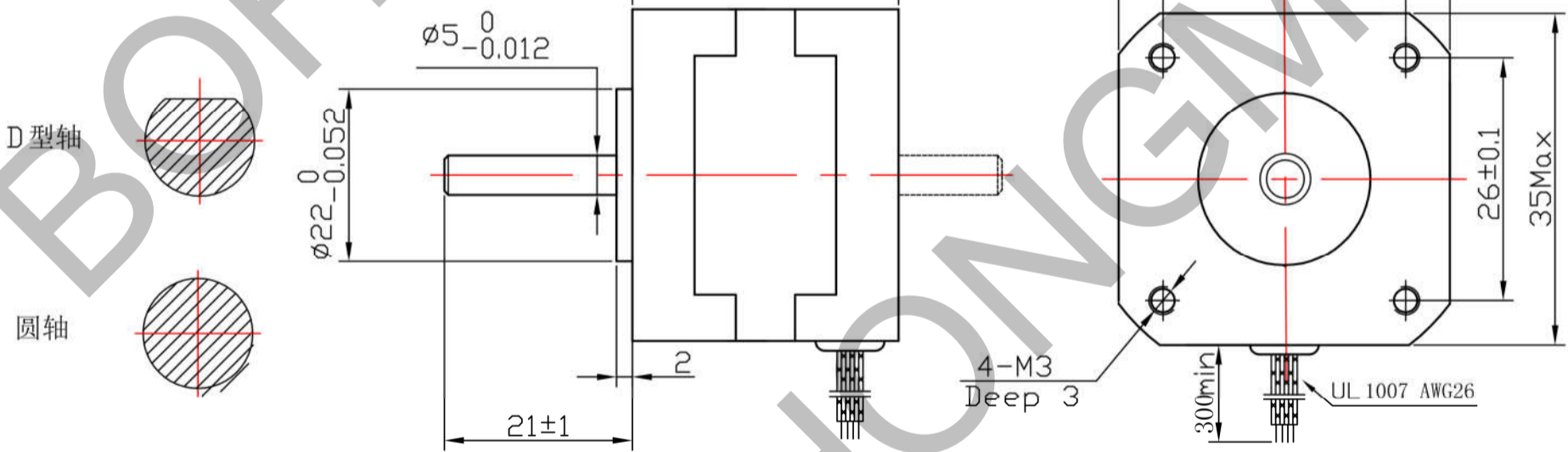
技术规格 Technique Specification

型号 Series Model	机身長 Motor Length L (mm)	电流 Rated Current (A)	电阻 Phase Resistance (Ω)	电感 Phase Inductance (mH)	静力矩 Holding Torque (Kg. cm)	引线数 Lead Wire (NO.)	转动惯量 Rotor Inertia (g. cm ²)	重量 Motor Weight (g)
35HW27F05AB	27	0.5	20	19	1.0	4	11	110
35HW27F08AB	27	0.8	5.5	5.8	1.0	4	11	110
35HW34S04AB	34	0.4	30	15	1.4	6	13	180
35HW34F06AB	34	0.6	9.0	11	1.3	4	13	180
35HW34F1AB	34	1.0	3.5	5.5	1.3	4	15	180
35HW40F06AB	40	0.6	16.3	18.8	1.8	4	15	200

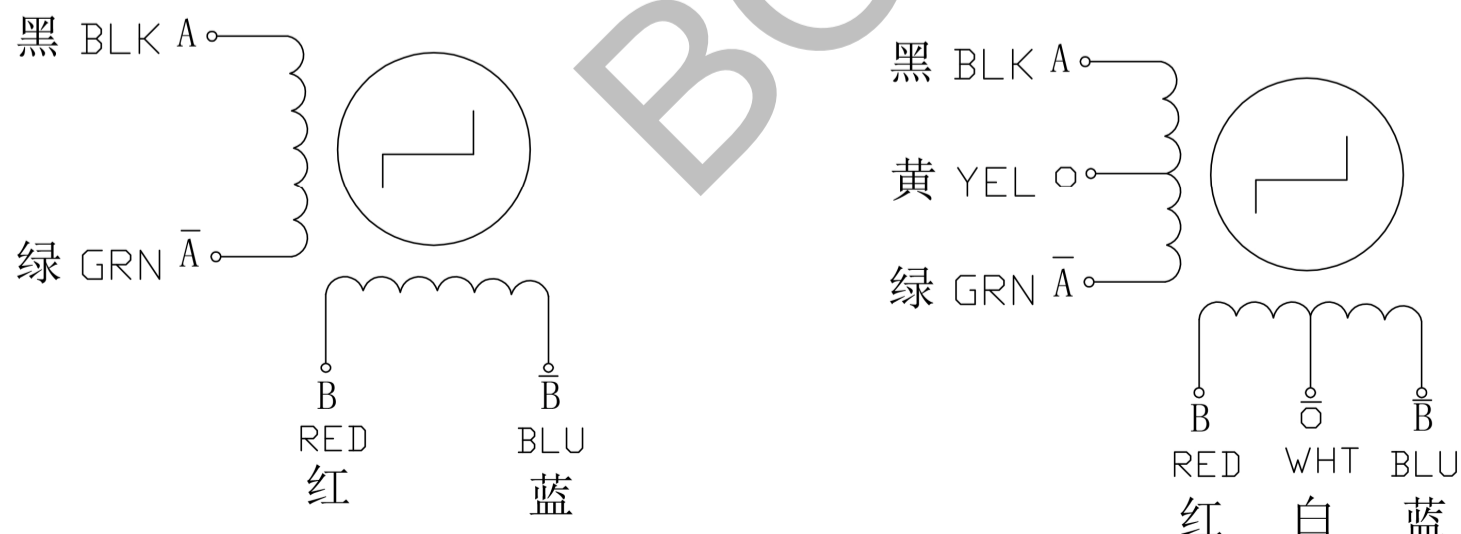
以上仅为代表性产品，派生产可根据客户要求制作！ We also manufacture products according to customer

外形图 Dimensions

出轴方式



接线图 Wiring Diagram



混合式步进电机(HYBRID STEPPING MOTOR)

35HM 0.9°

项目	Item	性能 Specifications
步距角	Step Angle	0.9°
步距角精度	Step Angle Accuracy	±5% (full Step, no load)
电阻公差	Resistance Accuracy	±10%
电感公差	Inductance Accuracy	±20%
温升	Temperature Rise	80°C Max. (rated current, 2 phase on)
环境温度	Ambient Temperature	-20°C ~ +50°C
绝缘电阻	Insulation Resistance	100MΩ Min. , 500VDC
介电强度	Dielectric Strength	500VAC for one minute
转轴径向跳动	Shaft Radial Play	0.02Max. (450 g-load)
转轴轴向间隙	Shaft Axial Play	0.08Max. (450 g-load)
绝缘等级	Insulation Class	B (130°)



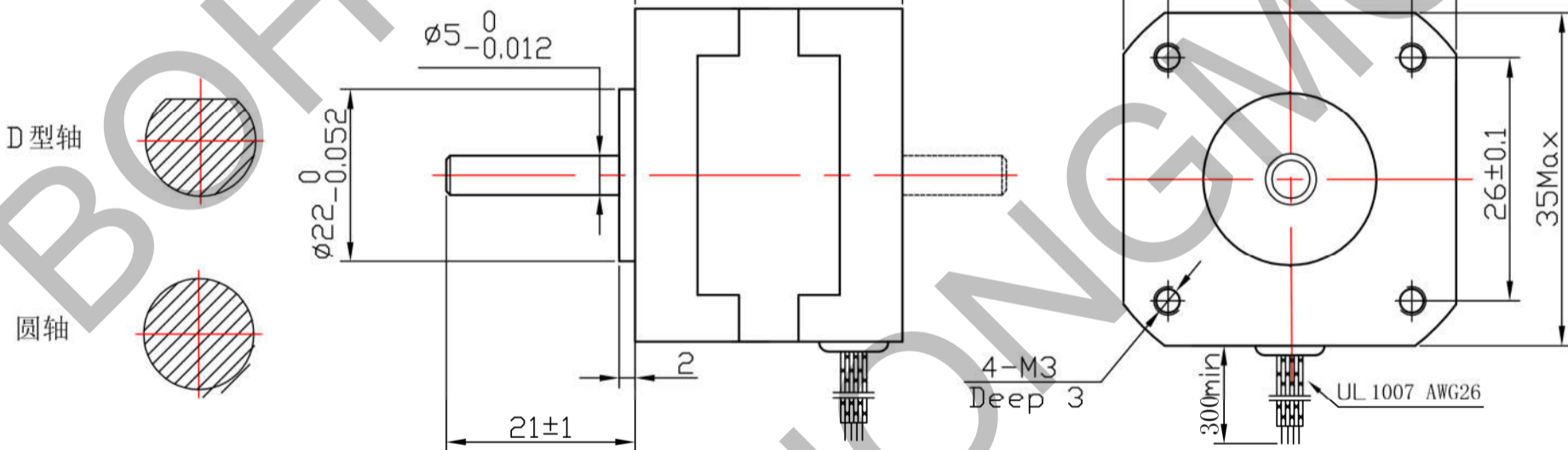
技术规格 Technique Specification

型号 Series Model	机身長 Motor Length L(mm)	电流 Rated Current (A)	电阻 Phase Resistance (Ω)	电感 Phase Inductance (mH)	静力矩 Holding Torque (Kg.cm)	引线数 Lead Wire (NO.)	转动惯量 Rotor Inertia (g.cm ²)	重量 Motor Weight (g)
35HM27F05AB	27	0.5	20	17	0.9	4	11	110
35HM27F08AB	27	0.8	5.5	5.8	1.0	4	11	110
35HM34S04AB	34	0.4	30	15	1.2	6	11	180
35HM34F05AB	34	0.5	25	25	1.2	4	13	180
35HM34F08AB	34	0.8	6.5	10	1.2	4	13	180

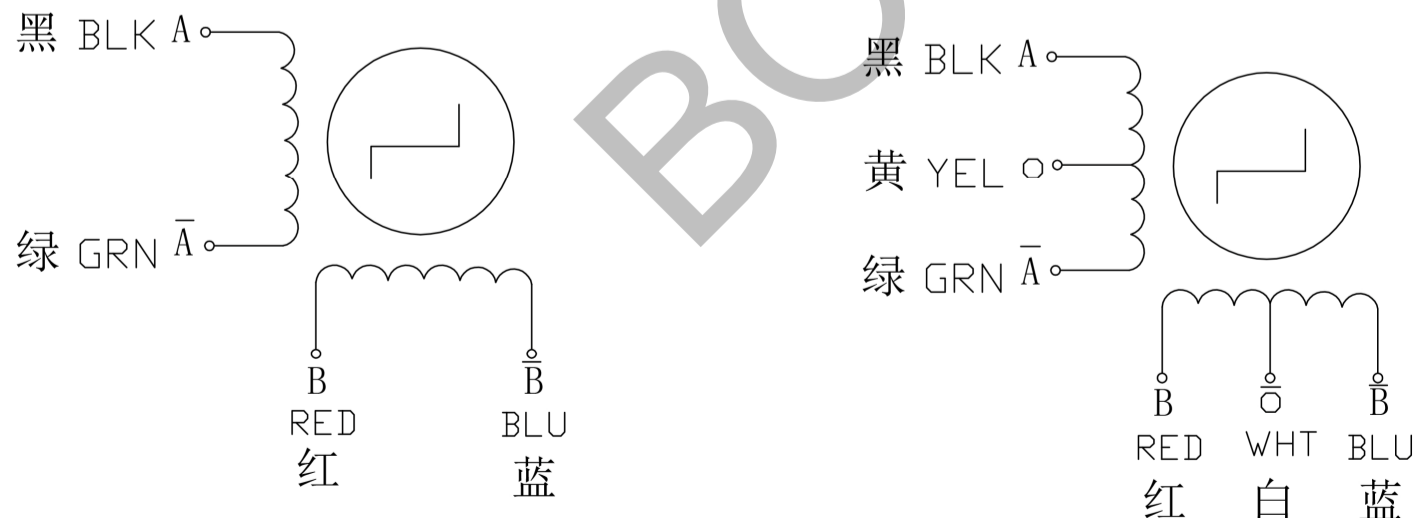
以上仅为代表性产品，派生产可根据客户要求制作！ We also manufacture products according to customer

外形图 Dimensions

出轴方式



接线图 Wiring Diagram



混合式步进电机(HYBRID STEPPING MOTOR)

39HB 1.8°

项目	Item	性能 Specifications
步距角	Step Angle	1.8°
步距角精度	Step Angle Accuracy	±5% (full Step, no load)
电阻公差	Resistance Accuracy	±10%
电感公差	Inductance Accuracy	±20%
温升	Temperature Rise	80°C Max. (rated current, 2 phase on)
环境温度	Ambient Temperature	-20°C ~ +50°C
绝缘电阻	Insulation Resistance	100MΩ Min. , 500VDC
介电强度	Dielectric Strength	500VAC for one minute
转轴径向跳动	Shaft Radial Play	0.02Max. (450 g-load)
转轴轴向间隙	Shaft Axial Play	0.08Max. (450 g-load)
绝缘等级	Insulation Class	B



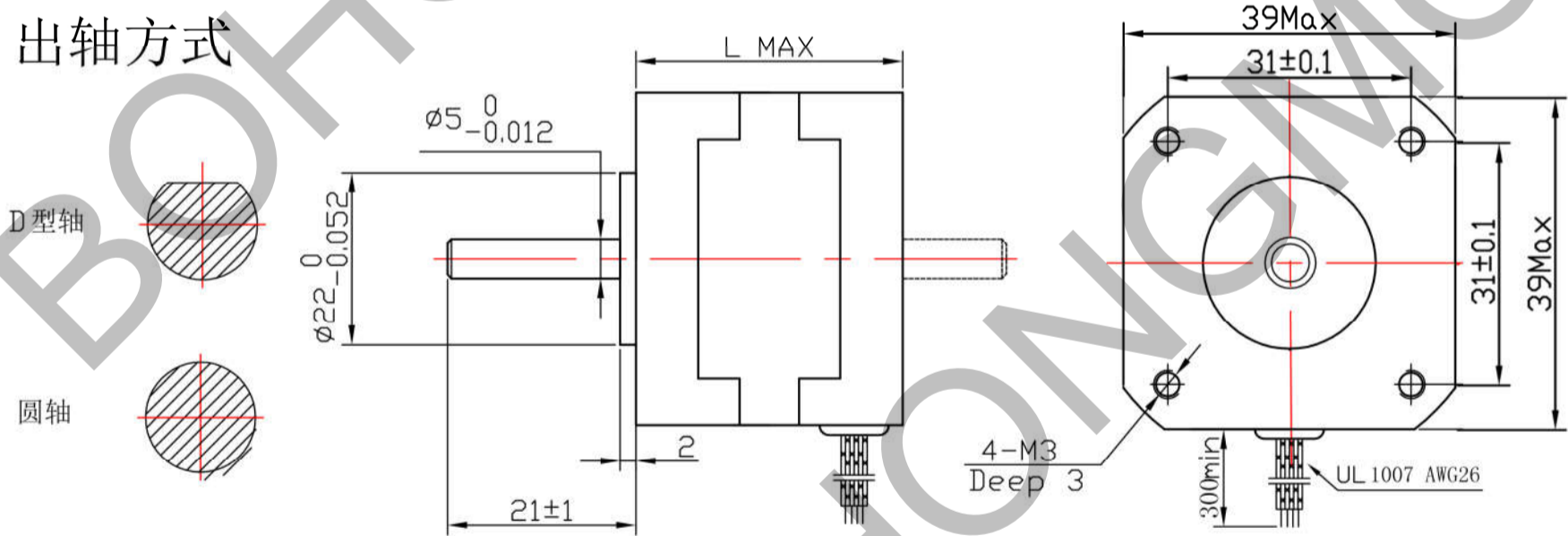
技术规格 Technique Specification

型号 Series Model	机身長 Motor Length L(mm)	电流 Rated Current (A)	电阻 Phase Resistance (Ω)	电感 Phase Inductance (mH)	静力矩 Holding Torque (Kg.cm)	引线数 Lead Wire (NO.)	转动惯量 Rotor Inertia (g.cm ²)	重量 Motor Weight (g)
39HB20F05B	20	0.5	13	6.4	0.7	4	12	100
39HB26F06B	26	0.6	10	10	1.5	4	14	140
39HB34F06B	34	0.6	12	15	2.2	4	19	160
39HB34S03B	34	0.3	40	20	1.3	6	19	160
39HB38F102B	38	1.2	3.8	6.0	2.7	120	24	240
39HB38F04B	38	0.4	30	22	1.8	120	24	240

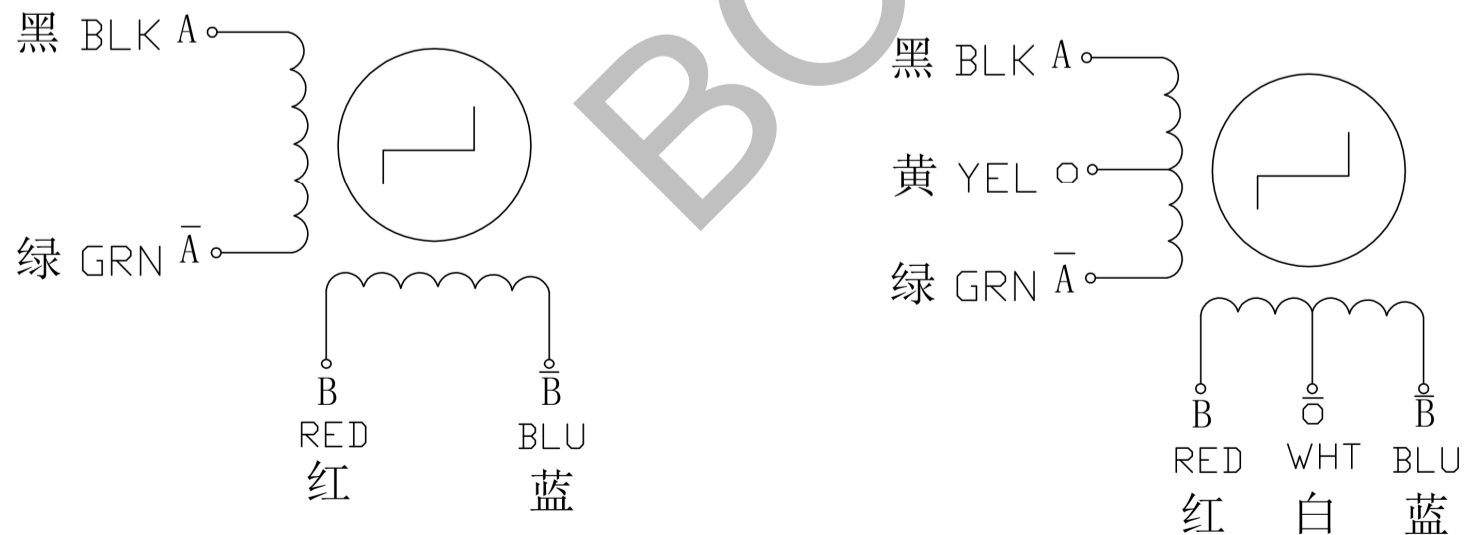
以上仅为代表性产品，派生产可根据客户要求制作！ We also manufacture products according to customer

外形图 Dimensions

出轴方式



接线图 Wiring Diagram



混合式步进电机(HYBRID STEPPING MOTOR)

42HB 1.8°

项目	Item	性能 Specifications
步距角	Step Angle	1.8°
步距角精度	Step Angle Accuracy	±5% (full Step, no load)
电阻公差	Resistance Accuracy	±10%
电感公差	Inductance Accuracy	±20%
温升	Temperature Rise	80° C Max. (rated current, 2 phase on)
环境温度	Ambient Temperature	-20° C~+50° C
绝缘电阻	Insulation Resistance	100MΩ Min. , 500VDC
介电强度	Dielectric Strength	500VAC for one minute
转轴径向跳动	Shaft Radial Play	0.02Max. (450 g-load)
转轴轴向间隙	Shaft Axial Play	0.08Max. (450 g-load)
绝缘等级	Insulation Class	B (130°)



技术规格 Technique Specification

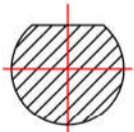
型号 Series Model	机身長 Motor Length L(mm)	相电压 Rate Voltage (V)	相电流 Rated Current (A)	相电阻 Phase Resistance (Ω)	相电感 Phase Inductance (mH)	静力矩 Holding Torque (Kg.cm)	引线数 Lead Wire (NO.)	转动惯量 Rotor Inertia (g.cm ²)	重量 Motor Weight (g)
42HB34F04AB	34	13.2	0.4	33	45	2.4	4	34	200
42HB34F08AB	34	4.96	0.8	6.2	10	2.4	4	34	200
42HB34F105AB	34	2.7	1.5	1.8	2.4	2.4	4	34	220
42HB40F102AB	40	6.5	1.2	6	13	3.0	4	50	220
42HB40F107AB	40	2.4	1.7	1.5	2.5	3.5	4	50	220
42HB40F05AB	40	4.1	0.5	8	15	2.6	4	50	250
42HB44F05A	44	8.9	0.5	18	23	2.9	4	54	250
42HB44F1AB	44	8	1	8	16	3.5	4	54	250
42HB48F04AB	48	8.0	0.4	20	40	4.0	4	68	280
42HB48F08AB	48	7.2	0.8	9	15	4.5	4	68	280
42HB48F105AB	48	4.2	1.5	2.8	4.8	4.0	4	68	280
42HB62F2AB	62	3.2	2.0	1.6	3.0	8.0	4	75	320

以上仅为代表性产品，派生产可根据客户要求制作！ We also manufacture products according to customer

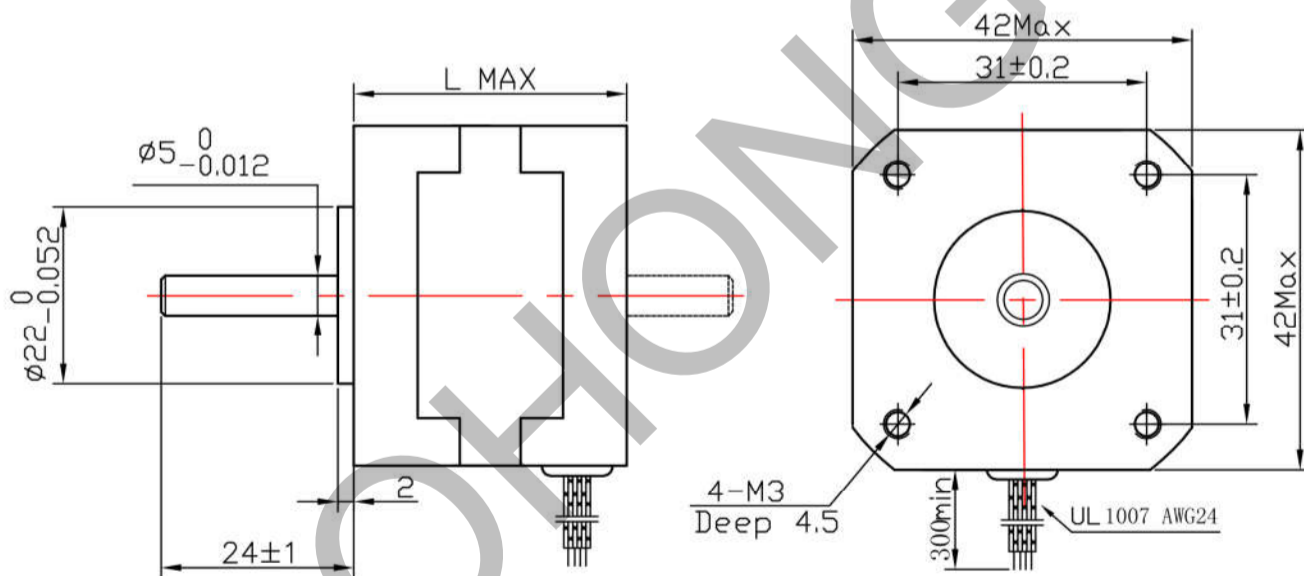
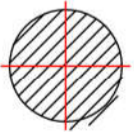
外形图 Dimensions

出轴方式

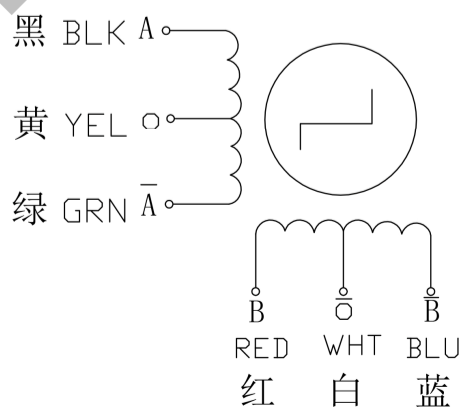
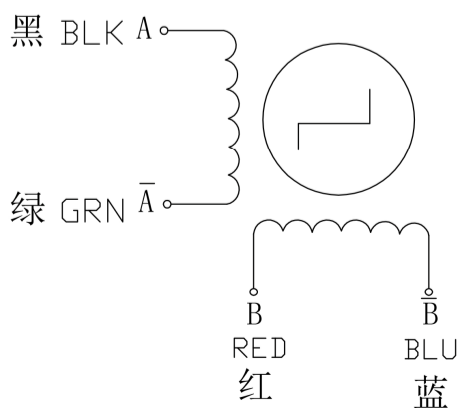
D型轴



圆轴



接线图 Wiring Diagram



混合式步进电机(HYBRID STEPPING MOTOR)

42HM 0.9°

项目	Item	性能 Specifications
步距角	Step Angle	0.9°
步距角精度	Step Angle Accuracy	±5% (full Step, no load)
电阻公差	Resistance Accuracy	±10%
电感公差	Inductance Accuracy	±20%
温升	Temperature Rise	80° C Max. (rated current, 2 phase on)
环境温度	Ambient Temperature	-20° C ~ +50° C
绝缘电阻	Insulation Resistance	100MΩ Min. , 500VDC
介电强度	Dielectric Strength	500VAC for one minute
转轴径向跳动	Shaft Radial Play	0.02Max. (450 g-load)
转轴轴向间隙	Shaft Axial Play	0.08Max. (450 g-load)
绝缘等级	Insulation Class	B



技术规格 Technique Specification

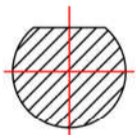
型号 Series Model	机身長 Motor Length L(mm)	相电压 Rate Voltage (V)	相电流 Rated Current (A)	相电阻 Phase Resistance (Ω)	相电感 Phase Inductance (mH)	静力矩 Holding Torque (Kg.cm)	引线数 Lead Wire (NO.)	转动惯量 Rotor Inertia (g.cm ²)	重量 Motor Weight (g)
42HB34MF06AB	34	4	0.6	4.2	4	1.58	6	34	200
42HB34MF04AB	34	4	0.4	10	9.5	1.58	6	34	200
42HB34MF03A	34	12	0.3	38.5	33	1.58	6	34	200
42HB40MF103B	34	2.8	1.3	2.1	4.2	2.2	4	34	200
42HB40MF102B	40	4	1.2	3.3	4	2.59	6	54	220
42HB40MF08B	40	6	0.8	7.5	7.5	2.59	6	54	220
42HB40M04AB	40	12	0.4	30	30	2.59	6	54	220
42HB40M107AB	40	2.8	1.68	1.65	4	3.3	4	54	220
42HB48MF102AB	48	4	1.2	3.3	4	3.17	4	68	350
42HB48MF04AB	48	12	0.4	30	38	3.17	6	68	350
42HB48MF08AB	48	6	0.8	23	10	3.17	6	68	350
42HB48MF107AB	48	2.8	1.68	1.65	4.1	4.4	4	68	350

以上仅为代表性产品，派生产可根据客户要求制作！ We also manufacture products according to customer

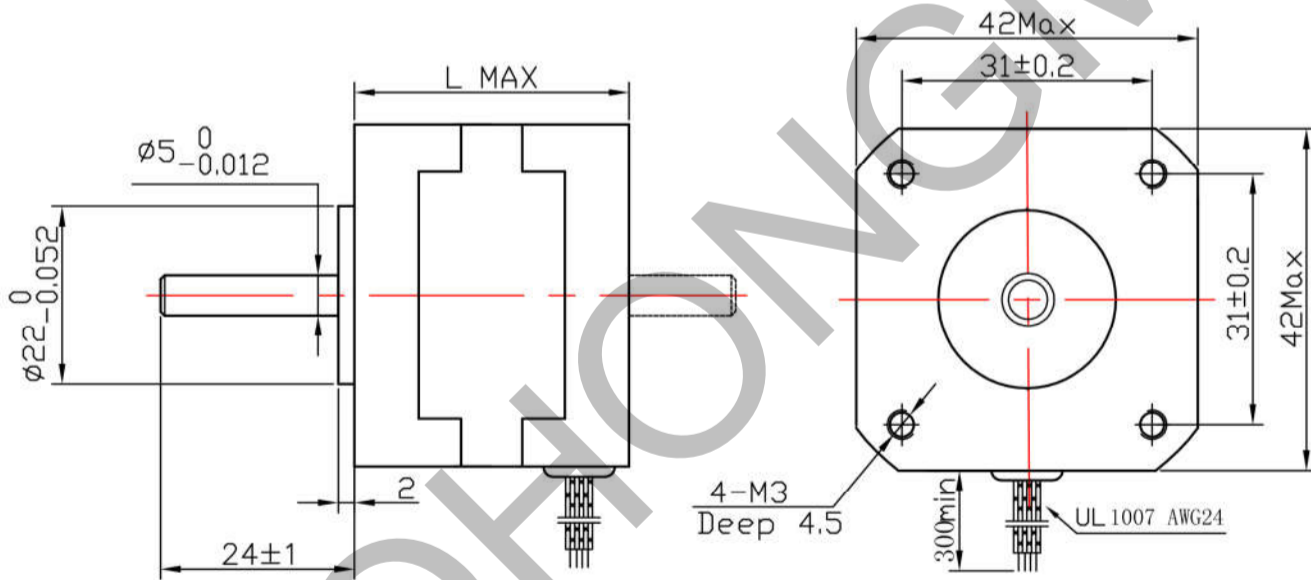
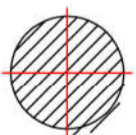
外形图 Dimensions

出轴方式

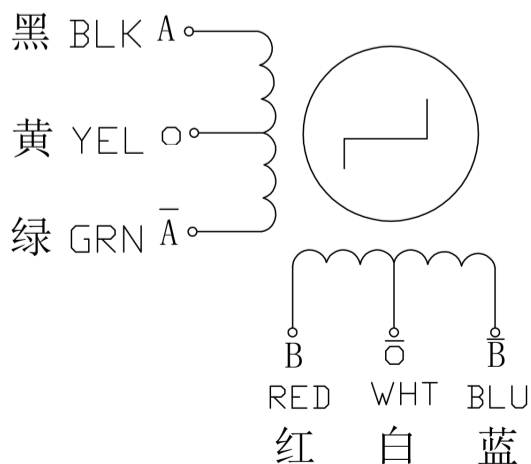
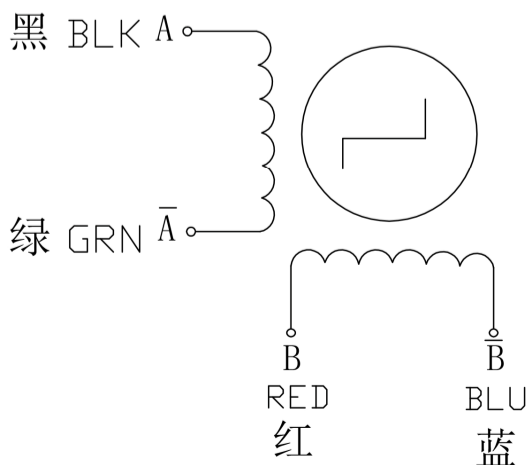
D型轴



圆轴



接线图 Wiring Diagram



混合式步进电机(HYBRID STEPPING MOTOR)

42HW 3.75°

项目	Item	性能 Specifications
步距角	Step Angle	3.75°
步距角精度	Step Angle Accuracy	±5% (full Step, no load)
电阻公差	Resistance Accuracy	±10%
电感公差	Inductance Accuracy	±20%
温升	Temperature Rise	80° C Max. (rated current, 2 phase on)
环境温度	Ambient Temperature	-20° C~+50° C
绝缘电阻	Insulation Resistance	100MΩ Min. , 500VDC
介电强度	Dielectric Strength	500VAC for one minute
转轴径向跳动	Shaft Radial Play	0.02Max. (450 g-load)
转轴轴向间隙	Shaft Axial Play	0.08Max. (450 g-load)
绝缘等级	Insulation Class	B (130°)



技术规格 Technique Specification

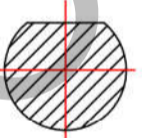
型号 Series Model	机身長 Motor Length L(mm)	相电压 Rate Voltage (V)	相电流 Rated Current (A)	相电阻 Phase Resistance (Ω)	相电感 Phase Inductance (mH)	静力矩 Holding Torque (Kg.cm)	引线数 Lead Wire (NO.)	转动惯量 Rotor Inertia (g.cm ²)	重量 Motor Weight (g)
42HW25DF08AB	25	9.6	0.8	12	12	0.7	4	24	150
42HW34DS03AB	34	12	0.3	40	18	1.2	6	34	200
42HW34DF06AB	34	12	0.6	20	15	2.0	4	34	200
42HW40DF04AB	40	12	0.4	30	40	3.8	4	54	220
42HW40DF105AB	40	4.5	1.5	3.0	3.5	2.3	4	54	220
42HW48DS04AB	48	12	0.4	30	25	3.2	6	68	280
42HW48DF102AB	48	3.6	1.2	3	5	4.5	4	68	280
42HW48DF205AB	48	3.1	2.5	1.25	1.8	4.8	4	68	280

以上仅为代表性产品，派生产可根据客户要求制作！ We also manufacture products according to customer

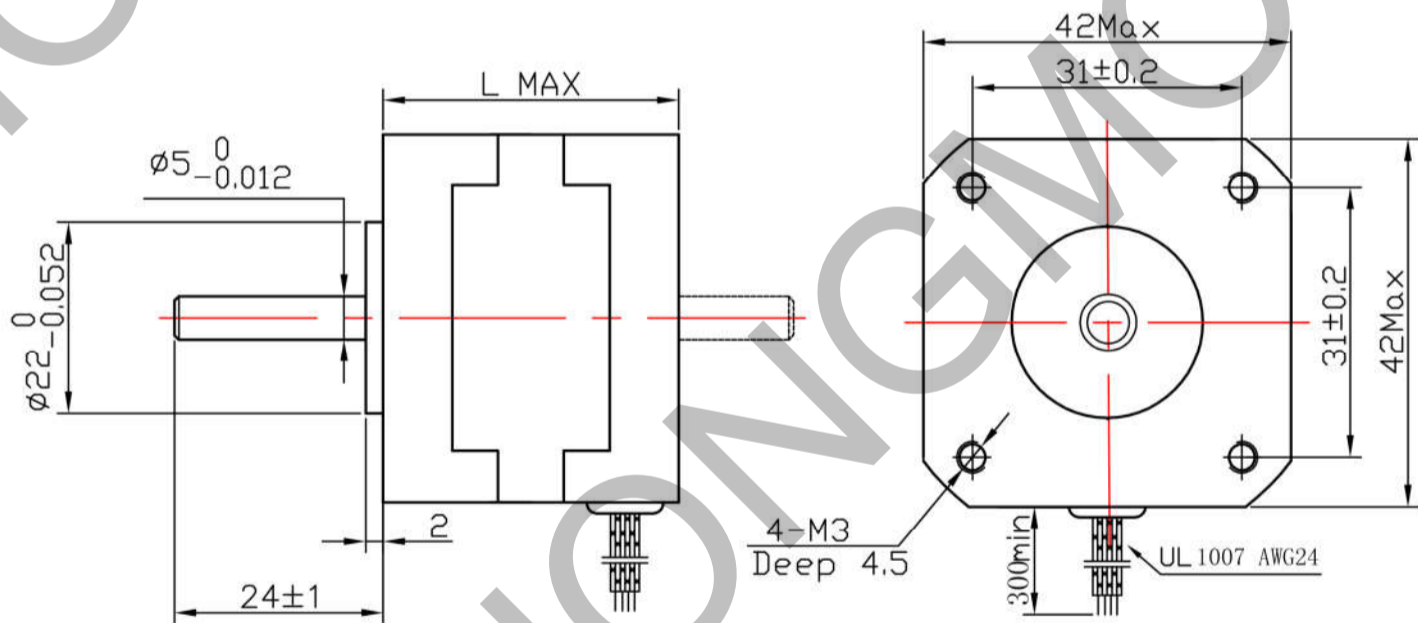
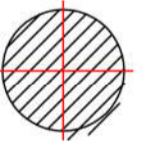
外形图 Dimensions

出轴方式

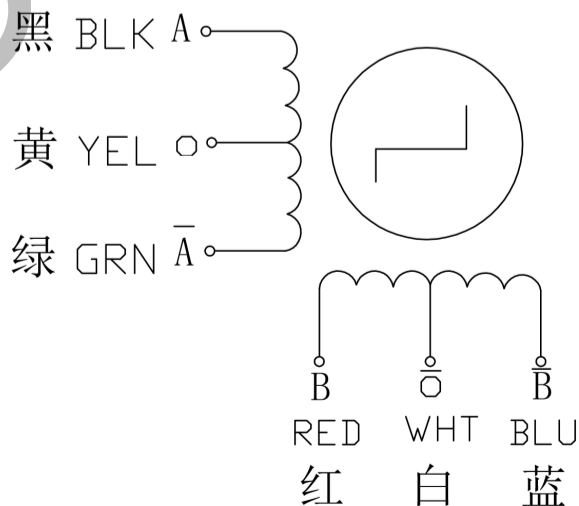
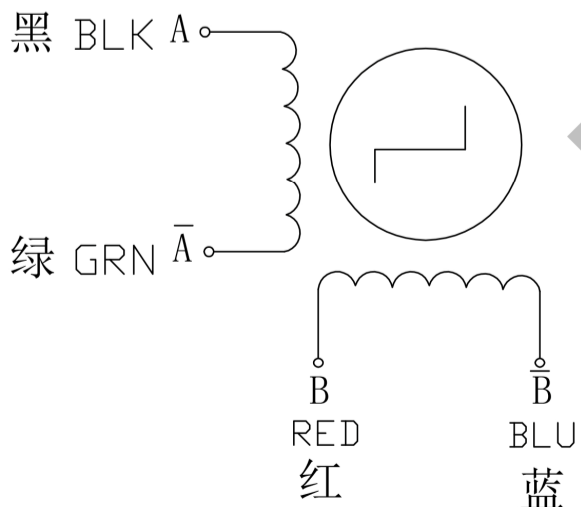
D型轴



圆轴



接线图 Wiring Diagram



混合式步进电机(HYBRID STEPPING MOTOR)

57HB 1.8°

项目	Item	性能 Specifications
步距角	Step Angle	1.8°
步距角精度	Step Angle Accuracy	±5% (full Step, no load)
电阻公差	Resistance Accuracy	±10%
电感公差	Inductance Accuracy	±20%
温升	Temperature Rise	80° C Max. (rated current, 2 phase on)
环境温度	Ambient Temperature	-20° C ~ +50° C
绝缘电阻	Insulation Resistance	100MΩ Min. , 500VDC
介电强度	Dielectric Strength	500VAC for one minute
转轴径向跳动	Shaft Radial Play	0.02Max. (450 g-load)
转轴轴向间隙	Shaft Axial Play	0.08Max. (450 g-load)
绝缘等级	Insulation Class	B (130°)



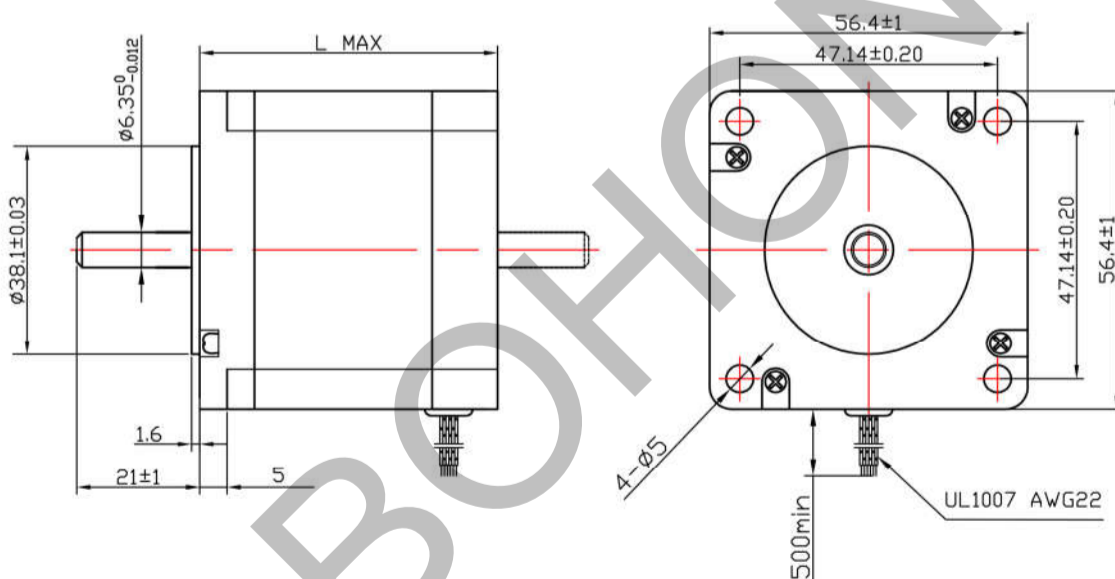
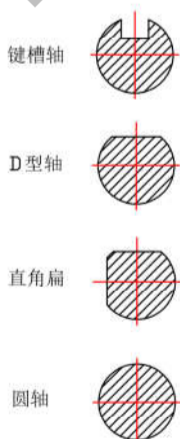
技术规格 Technique Specification

型号 Series Model	机身長 Motor Length L(mm)	相电压 Rate Voltage (V)	相电流 Rated Current (A)	相电阻 Phase Resistance (Ω)	相电感 Phase Inductance (mH)	静力矩 Holding Torque (N.M)	引线数 Lead Wire (NO.)	转动惯量 Rotor Inertia (g.cm ²)	重量 Motor Weight (Kg)
57HB41F105B	41	2.7	1.5	1.8	4	0.4	4	120	0.45
57HB41F2	41	2	2	1	1.7	0.4	4	120	0.45
57HB41F3	41	3	3	1.0	1.7	0.45	4	120	0.45
57HB51F105B	51	2.6	1.5	5.0	13	0.7	4	275	0.65
57HB51F3	51	3	3	1.1	2.8	0.8	4	275	0.65
57HB56F1B	56	6	1	6.0	16	0.9	4	300	0.7
57HB56F2	56	3.6	2	1.8	2.5	1.0	4	300	0.7
57HB56F3	56	2.5	2.8	0.9	2.5	1.2	4	300	0.7
57HB56S2	56	3.4	2.0	1.7	3.5	0.9	6	300	0.7
57HB64F2	64	7.2	2	3.6	12	1.4	4	360	0.85
57HB64S3	64	7.2	4	0.8	1.2	1.0	6	360	0.85
57HB78F105B	78	6.3	1.5	4.5	15	1.9	4	480	1.1
57HB78F205	78	3.0	2.5	1.2	5.0	1.5	4	480	1.1
57HB78F3	78	3.6	3.0	1.2	5	1.9	4	480	1.1
57HB78S3B	78	3.6	3	1.2	2.5	1.5	6	480	1.1
57HB82F3	82	2.1	3.0	0.7	2.3	2.0	4	530	1.2
57HB78F4BZ	82	2.8	4.0	0.7	2.3	2.1	4	530	1.2

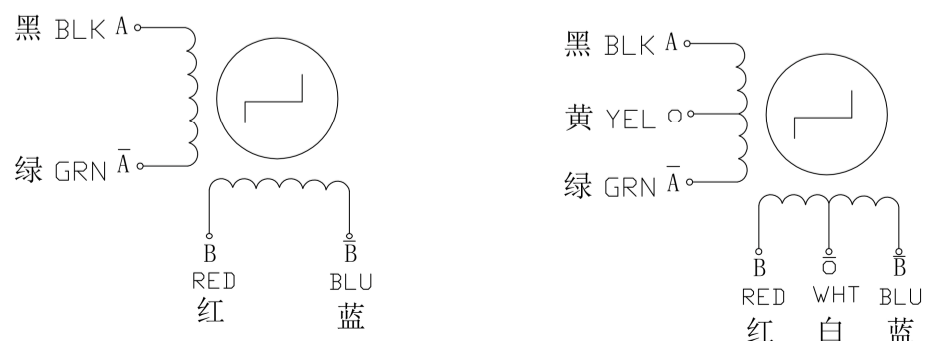
以上仅为代表性产品，派生产可根据客户要求制作！ We also manufacture products according to customer

外形图 Dimensions

出轴方式



接线图 Wiring Diagram



混合式步进电机(HYBRID STEPPING MOTOR)

57HM 0.9°

项目	Item	性能 Specifications
步距角	Step Angle	0.9°
步距角精度	Step Angle Accuracy	±5% (full Step, no load)
电阻公差	Resistance Accuracy	±10%
电感公差	Inductance Accuracy	±20%
温升	Temperature Rise	80° C Max. (rated current, 2 phase on)
环境温度	Ambient Temperature	-20° C ~ +50° C
绝缘电阻	Insulation Resistance	100MΩ Min. , 500VDC
介电强度	Dielectric Strength	500VAC for one minute
转轴径向跳动	Shaft Radial Play	0.02Max. (450 g-load)
转轴轴向间隙	Shaft Axial Play	0.08Max. (450 g-load)
绝缘等级	Insulation Class	B (130°)



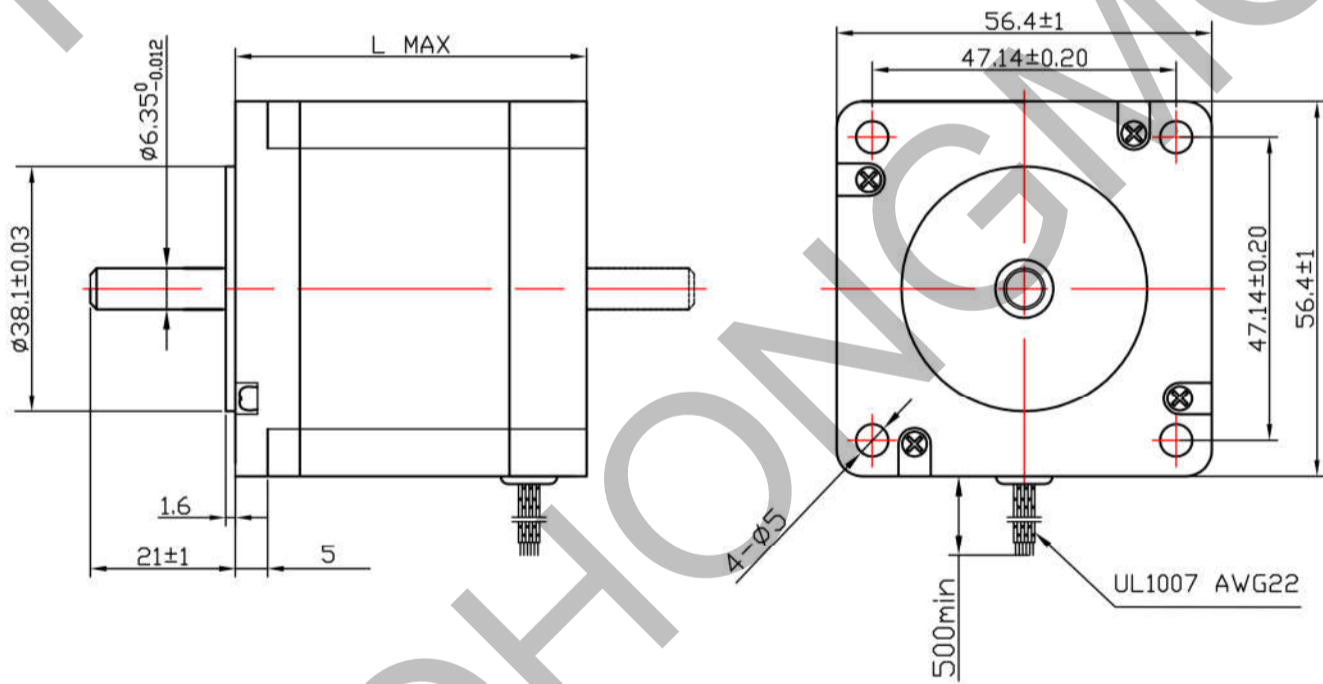
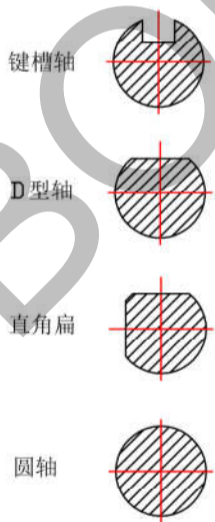
技术规格 Technique Specification

型号 Series Model	机身長 Motor Length L(mm)	相电压 Rate Voltage (V)	相电流 Rated Current (A)	相电阻 Phase Resistance (Ω)	相电感 Phase Inductance (mH)	静力矩 Holding Torque (N.M)	引线数 Lead Wire (NO.)	转动惯量 Rotor Inertia (g.cm ²)	重量 Motor Weight (Kg)
57HB41MSB	41	5.7	1.0	5.7	8	0.4	6	120	0.47
57HB41MS208B	41	2	2.8	1.4	2.2	0.4	6	120	0.47
57HB41MF208B	41	2	2.8	0.7	2.2	0.55	4	120	0.47
57HB56MS1B	56	7.4	1.0	7.4	17.5	0.9	6	300	0.70
57HB56MS208B	56	2.5	2.8	0.9	4.5	0.9	6	300	0.70
57HB56MF208	56	2.5	2.8	0.9	4.5	1.26	4	300	0.70
57HB78MS1B	78	8.6	1.0	8.6	23	1.35	6	480	1.0
57HB78MS2	78	4.5	2.0	2.25	5.6	1.35	6	480	1.0
57HB78MF208B	78	3.2	2.8	1.13	5.6	1.89	4	480	1.0

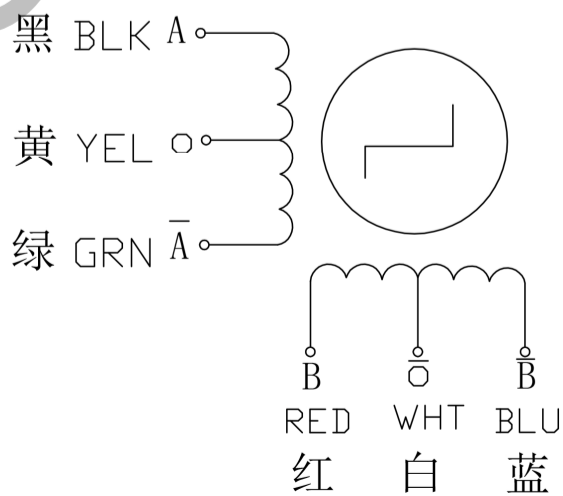
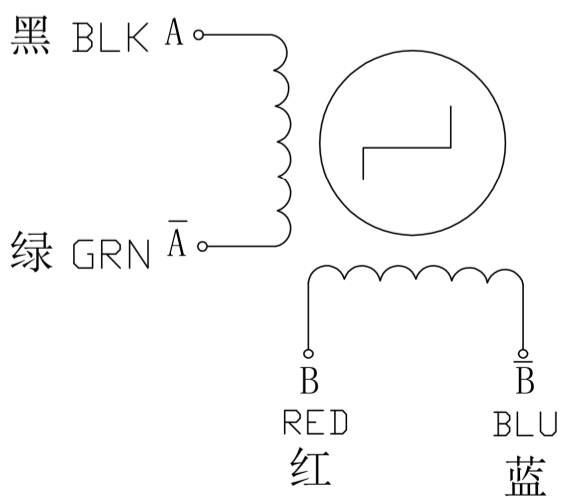
以上仅为代表性产品，派生产可根据客户要求制作！ We also manufacture products according to customer

外形图 Dimensions

出轴方式



接线图 Wiring Diagram



混合式步进电机(HYBRID STEPPING MOTOR)

60HB 1.8°

项目	Item	性能 Specifications
步距角	Step Angle	1.8
步距角精度	Step Angle Accuracy	±5% (full Step, no load)
电阻公差	Resistance Accuracy	±10%
电感公差	Inductance Accuracy	±20%
温升	Temperature Rise	80°C Max. (rated current, 2 phase on)
环境温度	Ambient Temperature	-20°C ~ +50°C
绝缘电阻	Insulation Resistance	100MΩ Min. , 500VDC
介电强度	Dielectric Strength	500VAC for one minute
转轴径向跳动	Shaft Radial Play	0.02Max. (450 g-load)
转轴轴向间隙	Shaft Axial Play	0.08Max. (450 g-load)
绝缘等级	Insulation Class	B (130°)



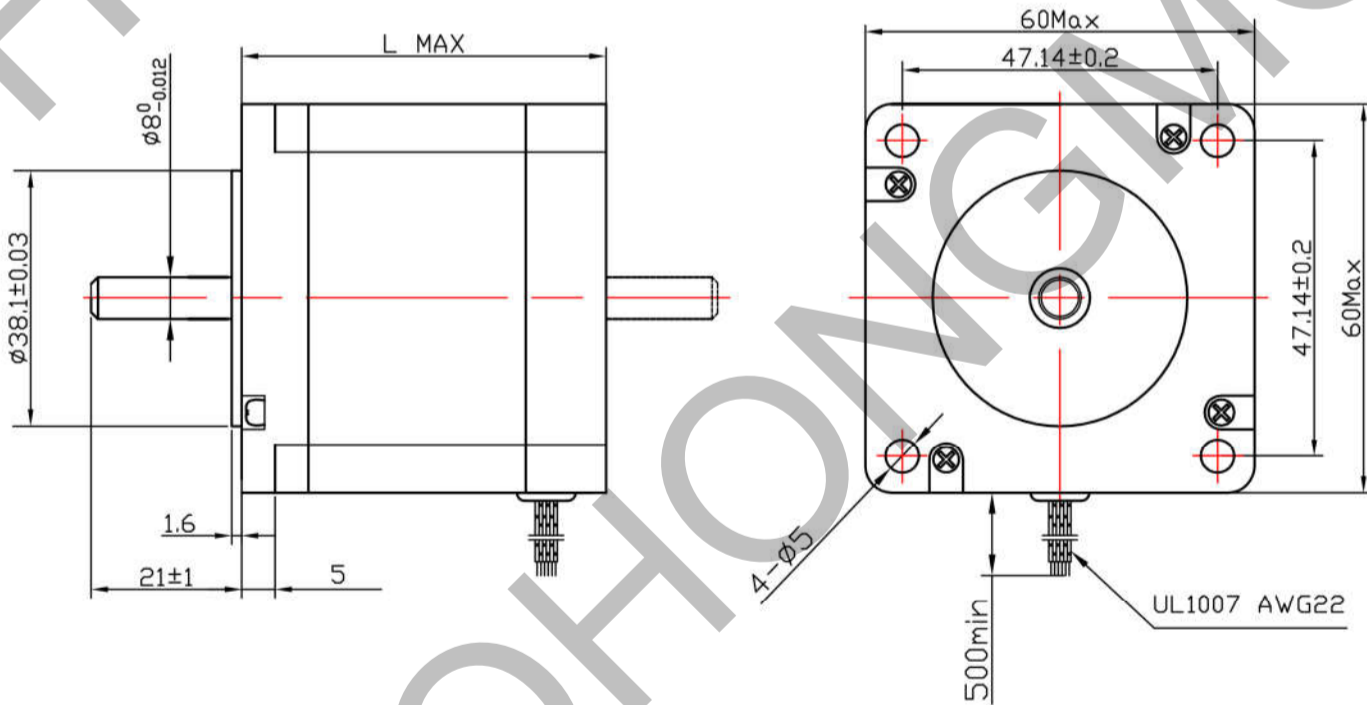
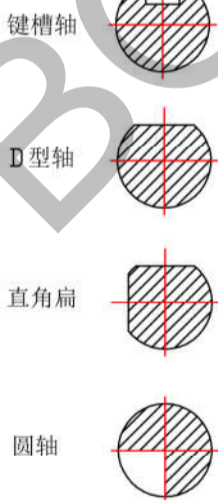
技术规格 Technique Specification

型号 Series Model	机身長 Motor Length L(mm)	相电压 Rate Voltage (V)	相电流 Rated Current (A)	相电阻 Phase Resistance (Ω)	相电感 Phase Inductance (mH)	静力矩 Holding Torque (N.M)	引线数 Lead Wire (NO.)	转动惯量 Rotor Inertia (g.cm ²)	重量 Motor Weight (kg)
60HB56F3B	56	3.9	3	1.3	14	1.4	4	300	0.8
60HB56S107B	56	5.8	1.7	3.4	12	1.2	6	300	0.8
60HB56F3PJ	56	2.4	3	0.8	1.6	1.0	4	300	0.8
60HB56F1B	56	12	1	12	15	1.2	4	300	0.8
60HB87F3B	87	4.5	3	1.5	6.8	2.5	4	840	1.4
60HB87F2B	87	6.4	2	3.2	15	2.3	4	840	1.4
60HB87F5B	87	3.25	5	0.65	3.0	2.5	4	840	1.4
60HB87S3PJ	87	4.5	3	1.5	5	2.6	6	840	1.4
60HB87S4B	87	2.6	4	0.65	2.5	3.1	6	840	1.4

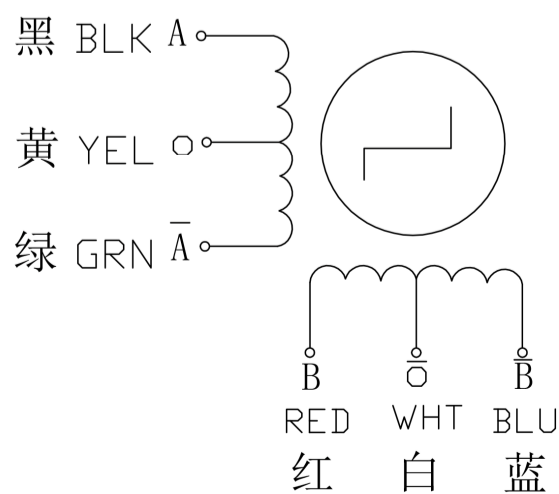
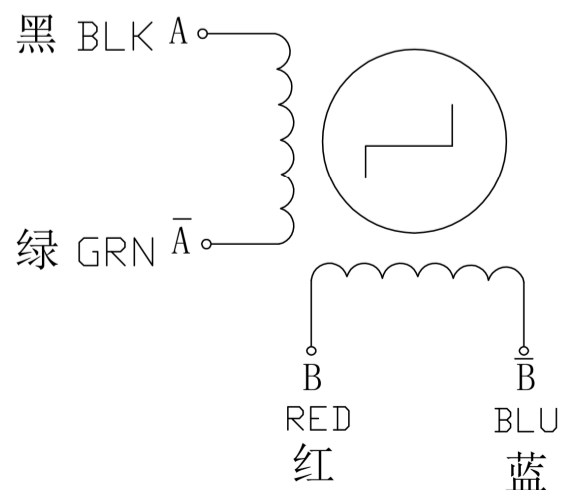
以上仅为代表性产品，派生产可根据客户要求制作！ We also manufacture products according to customer

外形图 Dimensions

出轴方式



接线图 Wiring Diagram



混合式步进电机(HYBRID STEPPING MOTOR)

86HB 1.8°

项目	Item	性能 Specifications
步距角	Step Angle	1.8
步距角精度	Step Angle Accuracy	±5% (full Step, no load)
电阻公差	Resistance Accuracy	±10%
电感公差	Inductance Accuracy	±20%
温升	Temperature Rise	80°C Max. (rated current, 2 phase on)
环境温度	Ambient Temperature	-20°C ~ +50°C
绝缘电阻	Insulation Resistance	100MΩ Min. , 500VDC
介电强度	Dielectric Strength	500VAC for one minute
转轴径向跳动	Shaft Radial Play	0.02Max. (450 g-load)
转轴轴向间隙	Shaft Axial Play	0.08Max. (450 g-load)
绝缘等级	Insulation Class	B (130°)

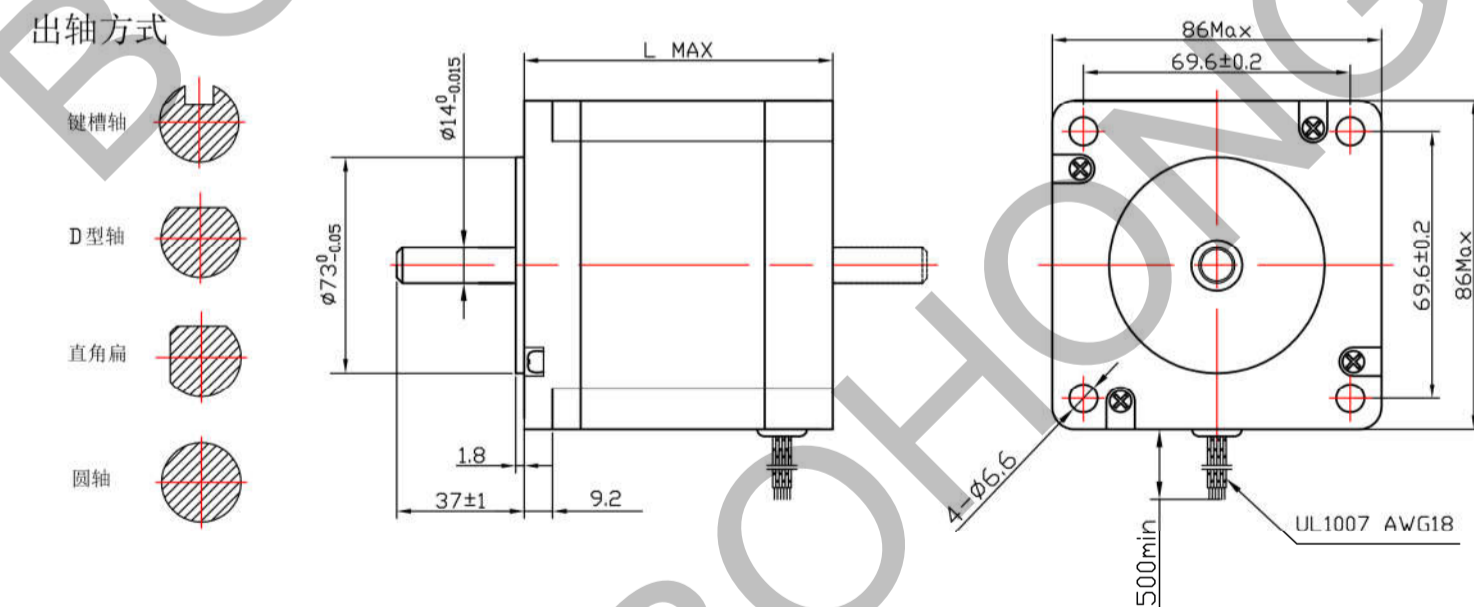


技术规格 Technique Specification

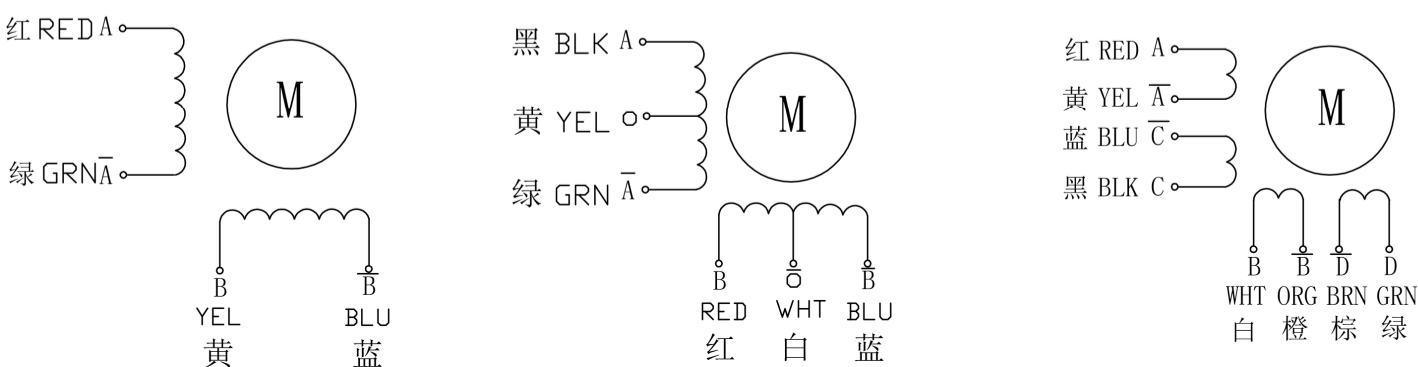
型号 Series Model	机身長 Motor Length L(mm)	相电压 Rate Voltage (V)	相电流 Rated Current (A)	相电阻 Phase Resistance (Ω)	相电感 Phase Inductance (mH)	静力矩 Holding Torque (N.M)	引线数 Lead Wire (NO.)	转动惯量 Rotor Inertia (g.cm ²)	重量 Motor Weight (kg)
86HB75F5PJ	75	3.75	5	0.75	7	4.0	4	1400	2.3
86HB75S402B	75	3.36	4.2	0.8	3.5	3.5	6	1400	2.3
86HB80E4PJ	80	3.15	4.0	0.75	3.4	4.5	8	1500	2.5
86HB80F505PJ	80	2.5	5.5	0.45	3	4.5	4	1500	2.5
86HB98F5PJ	98	3	5	0.6	5	6.0	4	1700	3.0
86HB98E2PJ	98	6.4	2	3.2	15	4.4	8	1700	3.0
86HB113F5PJ	113	3	5	0.6	5	7.0	4	2700	3.6
86HB113F305B	113	1.9	3.5	0.53	6.5	5.1	4	2700	3.6
86HB113E6PJ	113	2.6	6	0.43	2.5	4.1	8	2700	3.6
86HB118E402B	118	4.2	4.2	0.9	6	8.5	8	2800	3.8
86HB118F6PJ	118	6.4	6	0.6	6.5	8.5	4	2800	3.8
86HB156E2PJ	156	7.8	2	3.9	20	6.4	8	3600	5.0
86HB156F3PJ	156	5.7	3	1.9	22	10	4	3600	5.0

以上仅为代表性产品，派生产可根据客户要求制作！ We also manufacture products according to customer

外形图 Dimensions



接线图 Wiring Diagram



混合式步进电机(HYBRID STEPPING MOTOR)

86HB350 1.2°

项目	Item	性能 Specifications
步距角	Step Angle	1.2
步距角精度	Step Angle Accuracy	±5% (full Step, no load)
电阻公差	Resistance Accuracy	±10%
电感公差	Inductance Accuracy	±20%
温升	Temperature Rise	80° C Max. (rated current, 2 phase on)
环境温度	Ambient Temperature	-20° C ~ +50° C
绝缘电阻	Insulation Resistance	100MΩ Min. , 500VDC
介电强度	Dielectric Strength	500VAC for one minute
转轴径向跳动	Shaft Radial Play	0.02Max. (450 g load)
转轴轴向间隙	Shaft Axial Play	0.08Max. (450 g load)
绝缘等级	Insulation Class	B (130°)



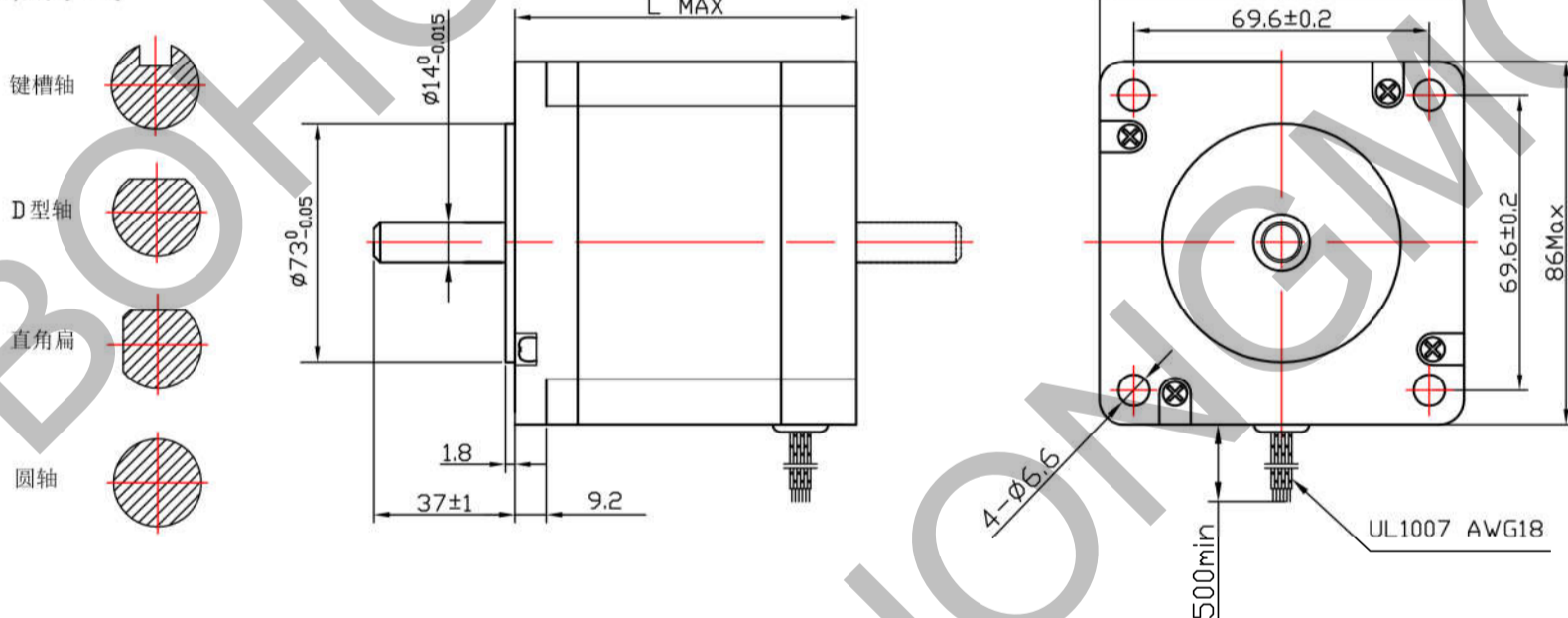
技术规格 Technique Specification

型号 Series Model	机身長 Motor Length L(mm)	相电压 Rate Voltage (V)	相电流 Rated Current (A)	相电阻 Phase Resistance (Ω)	相电感 Phase Inductance (mH)	静力矩 Holding Torque (N.M)	引线数 Lead Wire (NO.)	转动惯量 Rotor Inertia (g.cm ²)	重量 Motor Weight (kg)
86HB3504A-65	65	4	4	1	4	2.3	3	1100	1.65
86HB350A-65	65	7.4	1.75	4.25	12.3	2.5	3	1100	1.65
86HB3558-98	98	4.6	5.8	0.8	3	4.5	3	2320	2.7
86HB3502-98	98	10.8	2	5.4	23	5.0	3	2320	2.7
86HB350-127	127	13	5.2	2.5	13.5	8.0	3	3300	3.5
86HB350C-156	156	4.6	4	3	15	10	3	3600	3.8

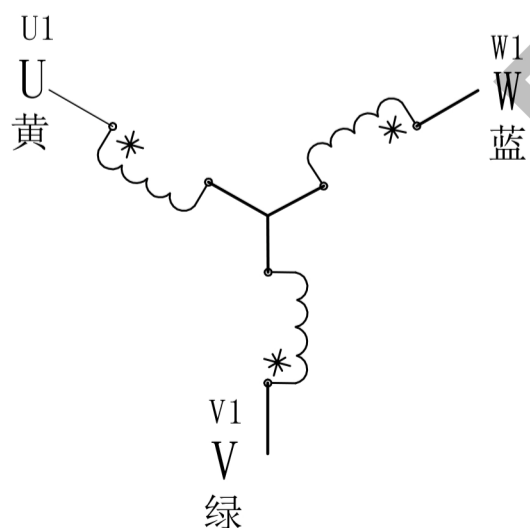
以上仅为代表性产品，派生产可根据客户要求制作！ We also manufacture products according to customer

外形图 Dimensions

出轴方式



接线图 Wiring Diagram



混合式步进电机(HYBRID STEPPING MOTOR)

110HB 1.8°

项目	Item	性能 Specifications
步距角	Step Angle	1.8
步距角精度	Step Angle Accuracy	±5% (full Step, no load)
电阻公差	Resistance Accuracy	±10%
电感公差	Inductance Accuracy	±20%
温升	Temperature Rise	80° C Max. (rated current, 2 phase on)
环境温度	Ambient Temperature	-20° C ~ +50° C
绝缘电阻	Insulation Resistance	100MΩ Min. , 500VDC
介电强度	Dielectric Strength	500VAC for one minute
转轴径向跳动	Shaft Radial Play	0.02Max. (450 g load)
转轴轴向间隙	Shaft Axial Play	0.08Max. (450 g load)
绝缘等级	Insulation Class	B (130°)



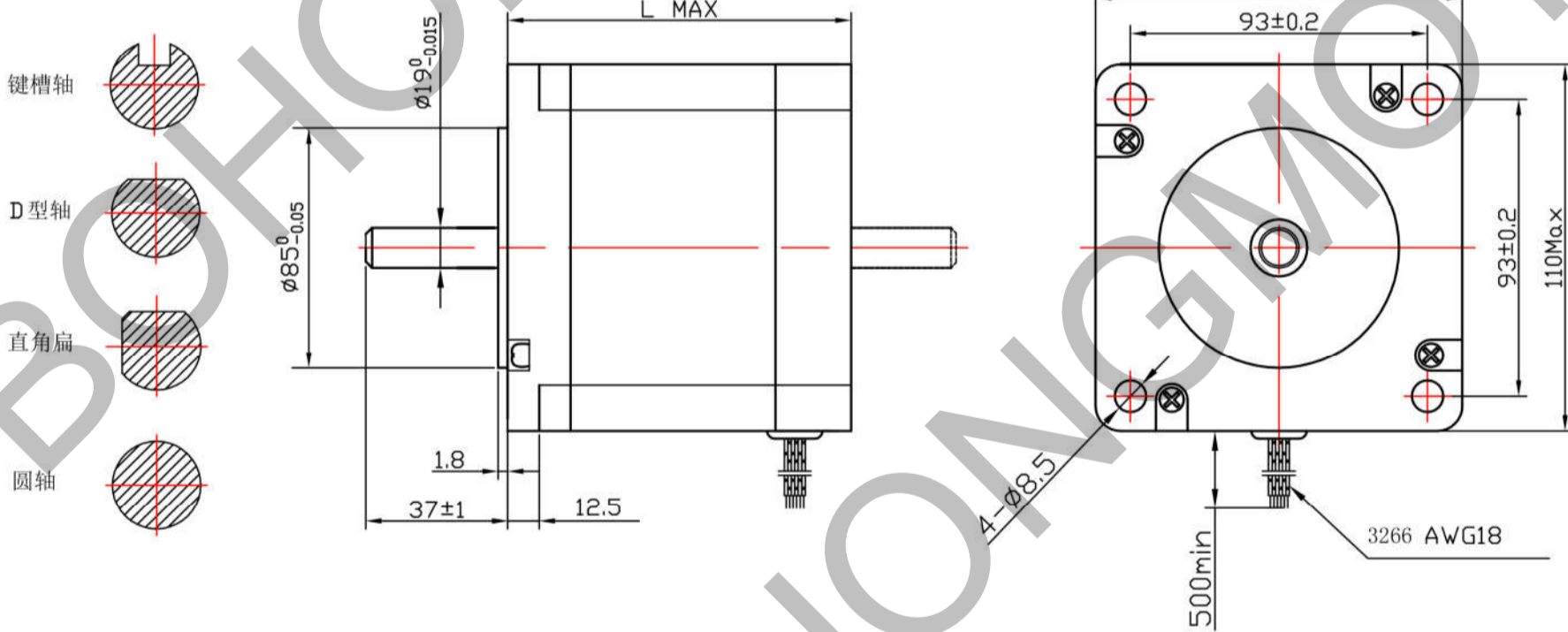
技术规格 Technique Specification

型号 Series Model	机身長 Motor Length L(mm)	相电压 Rate Voltage (V)	相电流 Rated Current (A)	相电阻 Phase Resistance (Ω)	相电感 Phase Inductance (mH)	静力矩 Holding Torque (N.M)	引线数 Lead Wire (NO.)	转动惯量 Rotor Inertia (g.cm ²)	重量 Motor Weight (Kg)
110HB99-001	99	4.95	5.5	0.9	12	8.0	4	5000	5
110HB115-001	115	4.8	6.0	0.8	6	12	4	8000	6.5
110HB150-001	150	5.44	6.8	0.8	15	20	4	10000	8.4
110HB202-001	201	5.36	8	0.67	12	28	4	16200	11.7

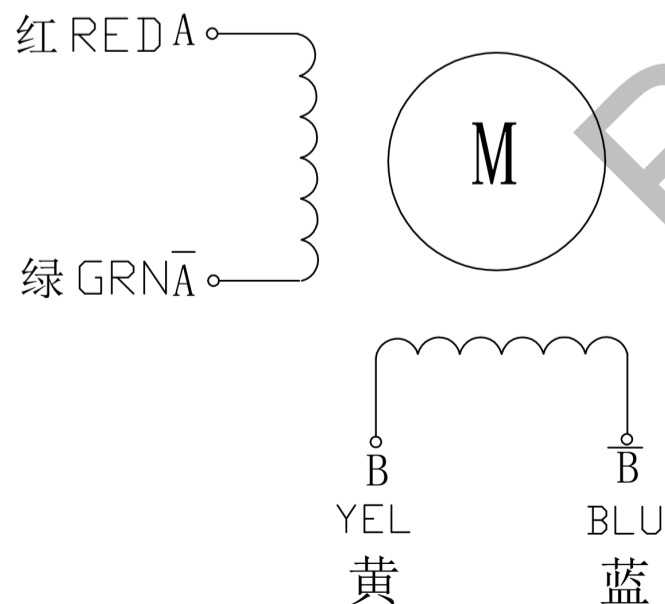
以上仅为代表性产品，派生产可根据客户要求制作！ We also manufacture products according to customer

外形图 Dimensions

出轴方式



接线图 Wiring Diagram



混合式步进电机(HYBRID STEPPING MOTOR)

110HB350 1.2°

项目	Item	性能 Specifications
步距角	Step Angle	1.2
步距角精度	Step Angle Accuracy	±5% (full Step, no load)
电阻公差	Resistance Accuracy	±10%
电感公差	Inductance Accuracy	±20%
温升	Temperature Rise	80° C Max. (rated current, 2 phase on)
环境温度	Ambient Temperature	-20° C ~ +50° C
绝缘电阻	Insulation Resistance	100MΩ Min. , 500VDC
介电强度	Dielectric Strength	500VAC for one minute
转轴径向跳动	Shaft Radial Play	0.02Max. (450 g load)
转轴轴向间隙	Shaft Axial Play	0.08Max. (450 g load)
绝缘等级	Insulation Class	B (130°)



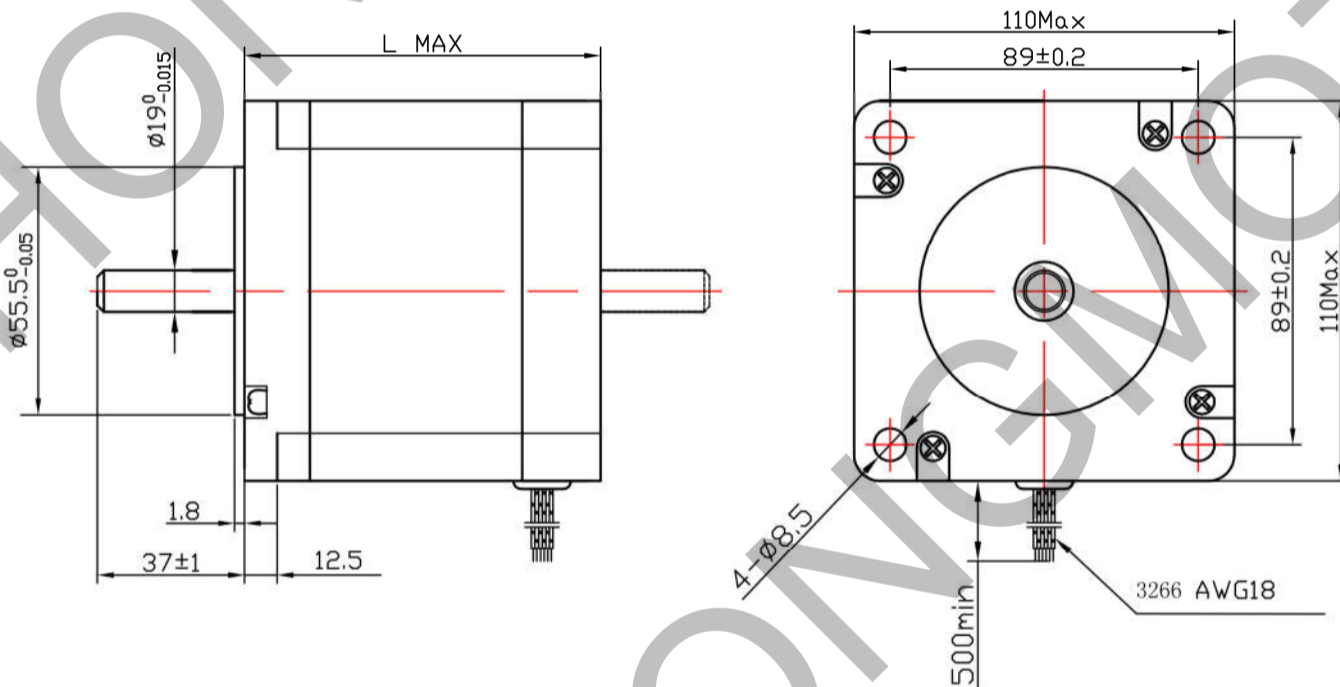
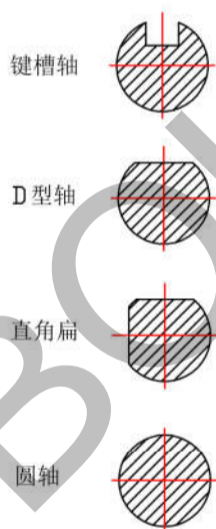
技术规格 Technique Specification

型号 Series Model	机身長 Motor Length L(mm)	相电压 Rate Voltage (V)	相电流 Rated Current (A)	相电阻 Phase Resistance (Ω)	相电感 Phase Inductance (mH)	静力矩 Holding Torque (N.M)	引线数 Lead Wire (NO.)	转动惯量 Rotor Inertia (g.cm ²)	重量 Motor Weight (Kg)
110HB350-12	129	80-325	6.0	1.0	15	12	3	5000	5
110HB350-16	168	80-325	6.8	0.8	15	16	3	10000	8.4
110HB350-21	201	80-325	8	0.67	12	21	3	16200	11.7

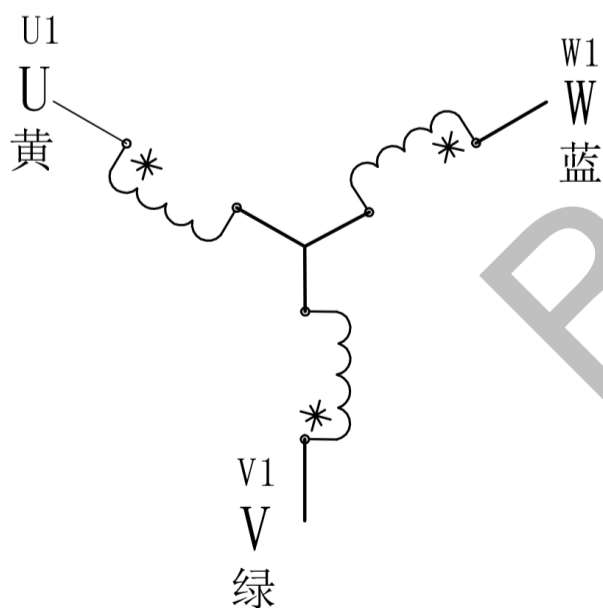
以上仅为代表性产品，派生产可根据客户要求制作！ We also manufacture products according to customer

外形图 Dimensions

出轴方式



接线图 Wiring Diagram



混合式直线步进电机(HYBRID LINEAR STEPPING MOTOR)

28HBSG

可选丝杆参数

丝杆直径(mm)	螺距(mm)	导程(mm)	头数(mm)	步长(mm)
3.5	1.216	1.216	1	0.006
5.56	1.22	2.44	2	0.0122
5.56	1.22	9.76	8	0.006
6	1.5	1.5	1	0.0075
6.35	1.22	4.88	4	0.0244
6.35	1.5875	3.175	2	0.008
6.35	0.794	0.794	1	0.004
6.5	1.5	3	2	0.015
8	1	1	1	0.005
8	2	2/4/8	1/2/4	0.01/0.02/0.04

以上仅为代表性产品，派生产可根据客户要求制作！丝杆长度 L1 可定制！

We also manufacture products according to customer

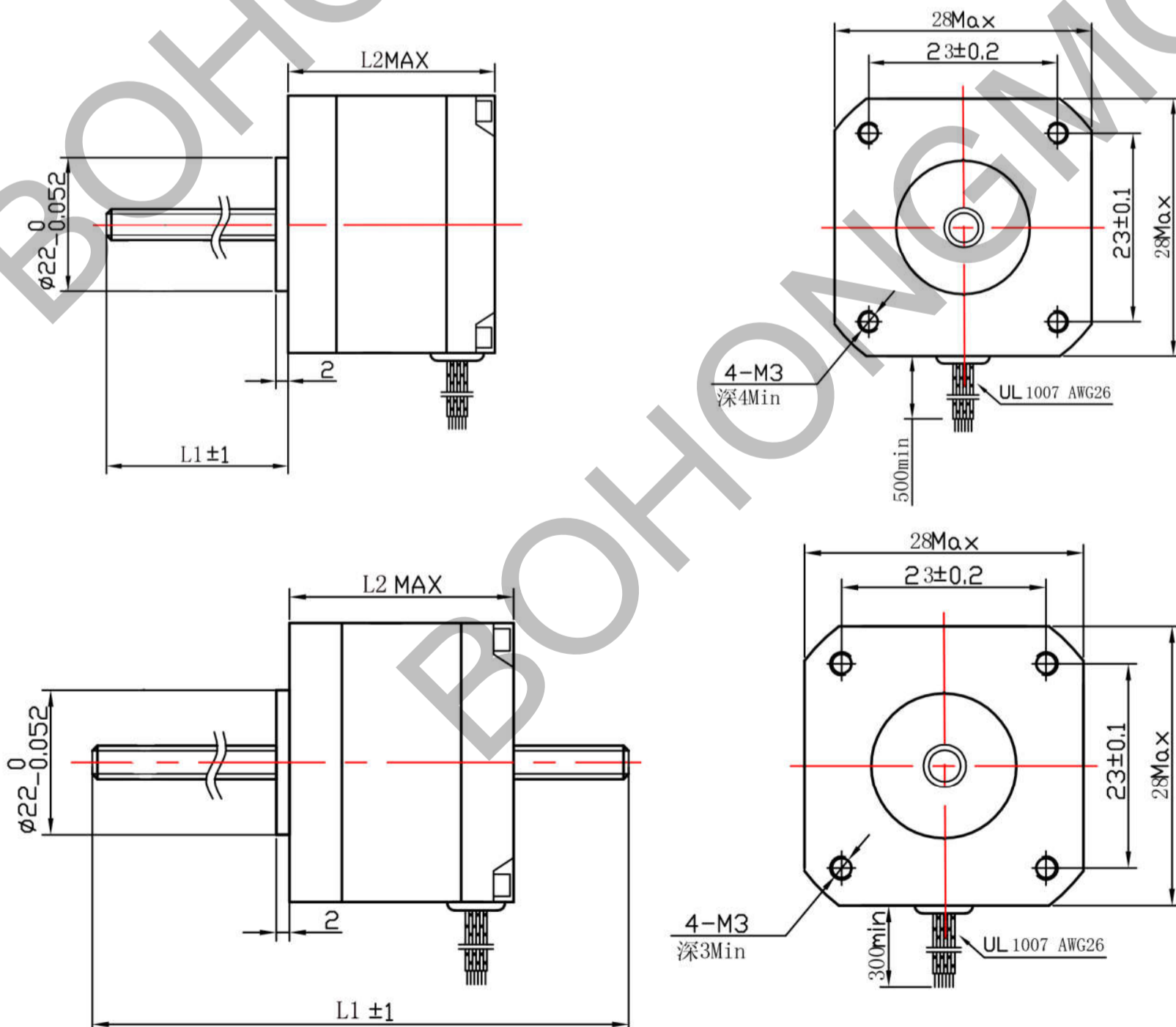


电机规格参数

型号 Series Model	步距角 Step Angle (°)	机身長 Motor Length L2(mm)	电流 Rated Current (A)	电阻 Phase Resistance (Ω)	电感 Phase Inductance (mH)	静力矩 Holding Torque (Kg. cm)	定位力矩 Detent Torque (g. cm)	转动惯量 Rotor Inertia (g. cm ²)	引线数 Lead Wire (NO.)	重量 Motor Weight (g)
28HB31F09SG	1.8	31	0.95	2.8	0.8	0.8	15	9	4	110
28HB31F06SG	1.8	31	0.68	5.6	3.4	0.6	15	9	4	110
28HB44F09SG	1.8	44	0.95	3.4	1.2	1.2	35	12	4	140
28HB44F06SG	1.8	44	0.68	6.8	4.9	0.95	35	11	4	140
28HB51F09SG	1.8	51	0.95	4.6	1.8	1.5	50	18	4	200
28HB51F06SG	1.8	51	0.68	9.2	7.2	1.2	50	18	4	200

以上仅为代表性产品，派生产可根据客户要求制作！ We also manufacture products according to customer

外形图 Dimensions



混合式直线步进电机(HYBRID LINEAR STEPPING MOTOR)

35HBSG

可选丝杆参数

丝杆直径(mm)	螺距(mm)	导程(mm)	头数(mm)	步长(mm)
5.56	1.22	2.44	2	0.0122
5.56	1.22	9.76	8	0.006
6	1.5	1.5	1	0.0075
6.35	1.22	4.88	4	0.0244
6.35	1.5875	3.175	2	0.008
6.35	0.794	0.794	1	0.004
6.5	1.5	3	2	0.015
8	1	1	1	0.005
8	2	2/4/8	1/2/4	0.01/0.02/0.04

以上仅为代表性产品，派生产可根据客户要求制作！丝杆长度 L1 可定制！

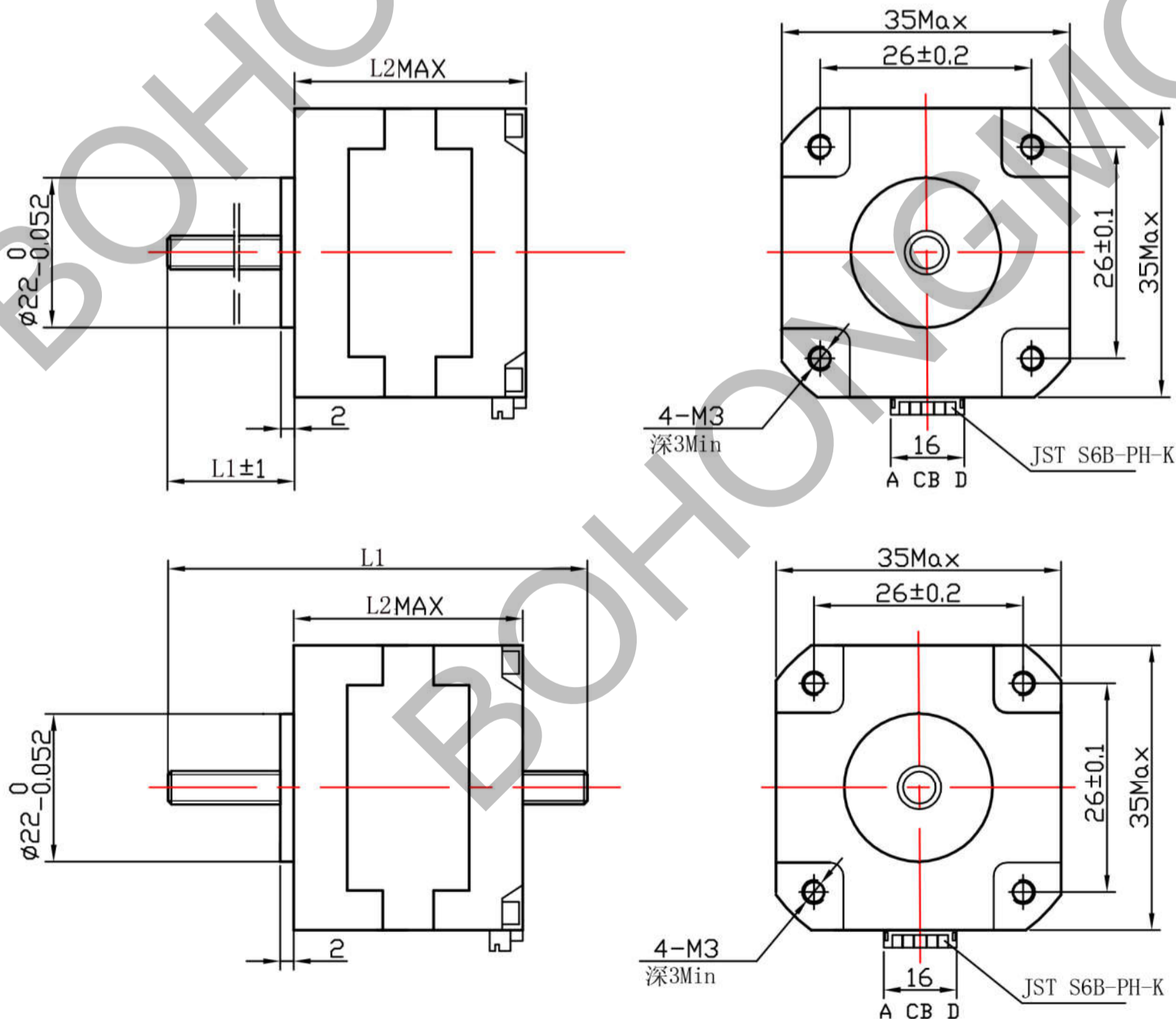
We also manufacture products according to customer

电机规格参数

型号 Series Model	步距角 Step Angle (°)	机身長 Motor Length L2(mm)	电流 Rated Current (A)	电阻 Phase Resistance (Ω)	电感 Phase Inductance (mH)	静力矩 Holding Torque (Kg.cm)	定位力矩 Detent Torque (g.cm)	转动惯量 Rotor Inertia (g.cm ²)	引线数 Lead Wire (NO.)	重量 Motor Weight (g)
35HB27F05SG	1.8	27	0.5	20	17	1.3	50	11	4	110
35HB27F08SG	1.8	27	0.8	5.5	5.8	1.3	50	11	4	110
35HB27S04SG	1.8	27	0.4	30	10	1.0	50	11	6	110
35HB34F05SG	1.8	34	0.5	25	25	1.8	80	13	4	180
35HB34F08SG	1.8	34	0.8	6.5	10	1.8	80	13	4	180
35HB34S04SG	1.8	34	0.4	30	15	1.4	80	13	6	180

以上仅为代表性产品，派生产可根据客户要求制作！ We also manufacture products according to customer

外形图 Dimensions



混合式直线步进电机(HYBRID LINEAR STEPPING MOTOR)

57HBSG

可选丝杆与步长

丝杆直径(mm)	螺距(mm)	导程(mm)	头数(mm)	步长(mm)
8	1	1	1	0.005
8	2	2/4/8	1/2/4	0.01/0.02/0.04
9.525	1.5875	1.5875	1	0.008
9.525	2.54	5.08/10.16	2/4	0.0254/0.0508
10	2	4	2	0.02
10	4	20	5	0.1
12	2	4	2	0.02
12	2.5	5	2	0.025
12	3	15	5	0.075

以上仅为代表性产品，派生产可根据客户要求制作！丝杆长度 L1 可定制！

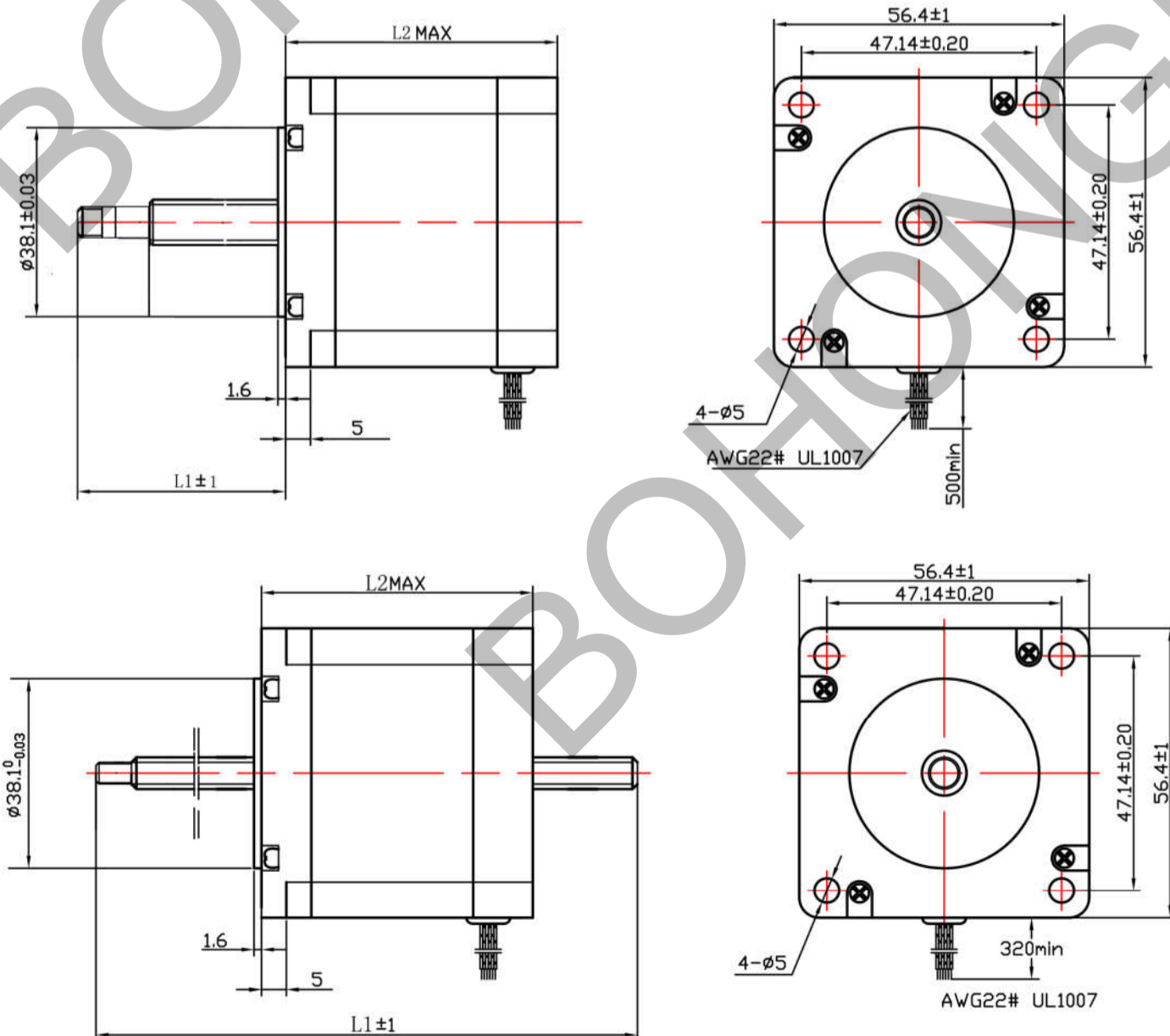
We also manufacture products according to customer

电机规格参数

电机型号 Model	步矩角 Step angle (°)	机身長 Motor Length L2(mm)	相电压 Rate Voltage (V)	相电流 Rate Current (A)	相电阻 Phase Resistance (Ω)	相电感 Phase Inductance (mH)	静力矩 Holding Torque (kg.cm)	引线数 Lead Wire (NO.)	转动惯量 Rotor Inertia (g.c m ²)	定位力矩 Detent Torque (g.cm)	重量 Motor Weight (kg)
57HB41F102SG	1.8	41	6.6	1.2	5.5	10	5	4	120	210	0.45
57HB41F2SG	1.8	41	2.0	2.0	1.0	1.7	5	4	120	210	0.45
57HB56F1SG	1.8	56	5.92	1.6	3.7	12.5	9	4	135	400	0.7
57HB56F3SG	1.8	56	3.0	3.0	1.0	3.0	9	4	135	400	0.7
57HB64F2SG	1.8	64	7.0	2.0	3.6	12	12.6	4	145	420	0.72
57HB78F105SG	1.8	78	6.8	1.5	4.5	15	13	4	200	720	0.95
57HB78F3SG	1.8	78	2.7	3	0.9	3	15	4	200	720	0.95

以上仅为代表性产品，派生产可根据客户要求制作！ We also manufacture products according to customer

外形图 Dimensions



混合式直线步进电机(HYBRID LINEAR STEPPING MOTOR)

86HBSG

可选丝杆与步长

丝杆直径(mm)	螺距(mm)	导程(mm)	头数(mm)	步长(mm)
12	2	4	2	0.02
12	2.5	5	2	0.025
12	3	15	5	0.075

以上仅为代表性产品，派生产可根据客户要求制作！丝杆长度 L1 可定制！

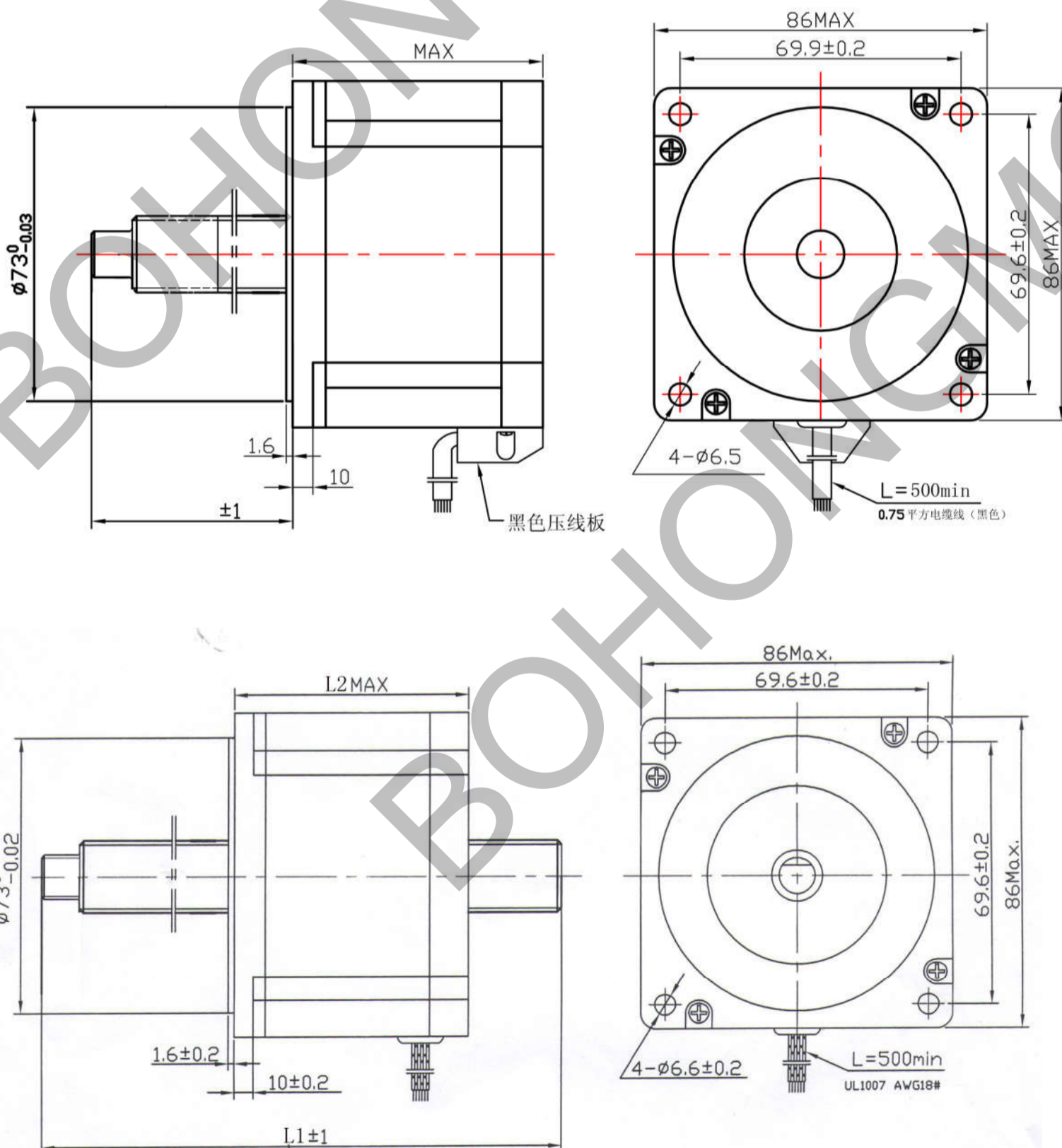
We also manufacture products according to customer

电机规格参数

电机型号 Model	步矩角 Step angel (°)	机身长 Motor Length L2(mm)	相电压 Rate Voltage (V)	相电流 Rate Current (A)	相电阻 Phase Resistance (Ω)	相电感 Phase Inductance (mH)	静转矩 Holding Torque (N.m)	引线数 Lead Wire (NO.)	转动惯量 Rotor Inertia (kg.cm ²)	重量 Motor Weight (kg)
86HB80S4SG	1.8	80	6.4	4.0	1.6	6.0	3.8	6	1.5	2.3
86HB80F205SG	1.8	80	2.5	5.5	0.45	3	4.5	4	1.5	2.3
86HB98E4SG	1.8	98	3.2	4	0.8	3.5	4.3	8	1.7	3
86HB98F5G	1.8	98	2.5	5	0.5	3.5	6.5	4	1.7	3
86HB113F305SG	1.8	113	1.9	3.5	0.53	6.5	7.0	4	2.7	3.6
86HB113E6SG	1.8	113	2.6	6	0.43	2.5	4.1	8	2.7	3.6
86HB156F505SG	1.8	156	4.4	5.5	0.8	7.5	10	4	4	5

以上仅为代表性产品，派生产可根据客户要求制作！ We also manufacture products according to customer

外形图 Dimensions

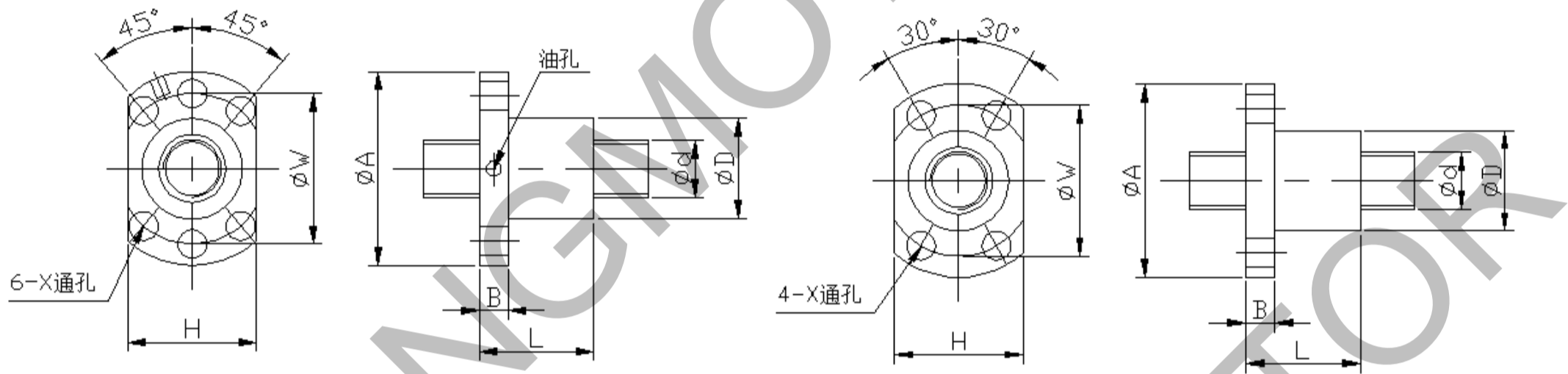


混合式直线步进电机(HYBRID LINEAR STEPPING MOTOR)

滚珠丝杆系列

可选丝杆参数

d	I	D	A	B	L	W	H	X
4	1	10	20	3	12	15	14	2.9
6	1	12	24	3.5	15	18	16	3.4
8	1	14	27	4	16	21	18	3.4
	2	14	27	4	16	21	18	3.4
	2.5	16	29	4	26	23	20	3.4
12	4	24	40	10	40	32	30	4.5
16	5	28	48	10	50	38	40	5.5
	10	28	48	10	57	38	40	5.5
20	4	36	58	10	42	47	44	6.6
	5	36	58	10	51	47	44	6.6



电机规格参数

机座尺寸 mm	型号	机身 长度 lmm	额定 电压 V	额定 电压 V	相电流 A	相电阻 Ω	相电感 mH	静力矩 Kg-cm	引出线	转动惯量 g-cm ²	定位 力矩 g-cm
42	42HB34S04GSG	34	9.6	9.6	0.4	24	15	1.6	6	35	120
	42HB34F103GSG	34	2.8	2.8	1.33	2.1	2.5	2.2	4	35	120
	42HB40S08GSG	40	6	6	0.8	7.5	6.7	2.6	6	54	150
	42HB40F107GSG	40	2.8	2.8	1.68	1.65	3.2	3.6	4	54	150
	42HB48S102GSG	48	4	4	1.2	3.3	2.8	3.17	6	68	200
	42HB48F107GSG	48	2.8	2.8	1.68	1.65	2.8	4.4	4	68	200
	42HB62F102GSG	62	7.2	7.2	1.2	6	7	6.5	6	102	280
57	57HB41S1GSG	41	5.7	5.7	1	5.7	5.4	3.9	6	120	210
	57HB41F208GSG	41	2	2	2.8	0.7	1.4	5.5	4	120	210
	57HB56S1GSG	56	7.4	7.4	1	7.4	10	9.0	6	300	410
	57HB56F205GSG	56	2.5	2.5	2.8	0.9	2.5	12.6	4	300	410
	57HB78S2GSG	78	4.5	4.5	2	2.25	3.6	13.5	6	480	680
	57HB78F208GSG	78	3.2	3.2	2.8	1.13	3.6	18.9	4	480	680
86	86HB65F4GSG	65	2.0	2.0	4.0	0.7	3.0	35	4	1000	800
	86HB80F5GSG	80	3.75	3.75	5.0	0.75	5.5	40	4	1400	2700
	86HB80E4GSG	80	6.7	6.7	4.2	1.6	6	42	8	1400	2700
	86HB113F5GSG	113	3	3	5	0.6	5	80	4	2700	2700
	86HB113S4GSG	113	4.8	4.8	4	1.2	5	65	8	2700	2700
	86HB156F505GSG	156	4.4	4.4	5.5	0.8	7.5	100	4	4000	3600

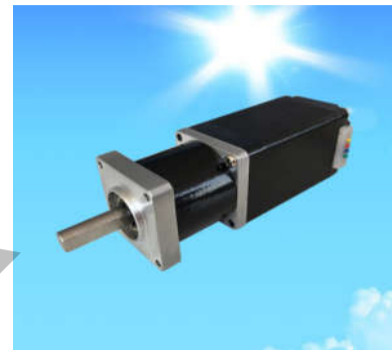
以上仅为代表性产品，派生产可根据客户要求制作！ We also manufacture products according to customer

减速步进电机 (GEAR BOX STEPPING MOTOR)

28 系列

电机规格参数

电机型号 Model	步矩角 Step angel (°)	机身長 Motor Length L2(mm)	相电压 Rate Voltage (V)	相电流 Rate Current (A)	相电阻 Phase Resistance (Ω)	相电感 Phase Inductance (mH)	静力矩 Holding Torque (Kg. cm)	引线数 Lead Wire (No.)	重量 Motor Weight (kg)
28HB31F095AJ	1.8	31	0.95	2.8	2.3	0.6	0.6	9	110
28HB44F095AJ	1.8	44	0.95	4.7	3.7	0.9	0.9	12	140
28HB51F095AJ	1.8	51	0.95	5.6	5.0	1.1	1.2	18	180

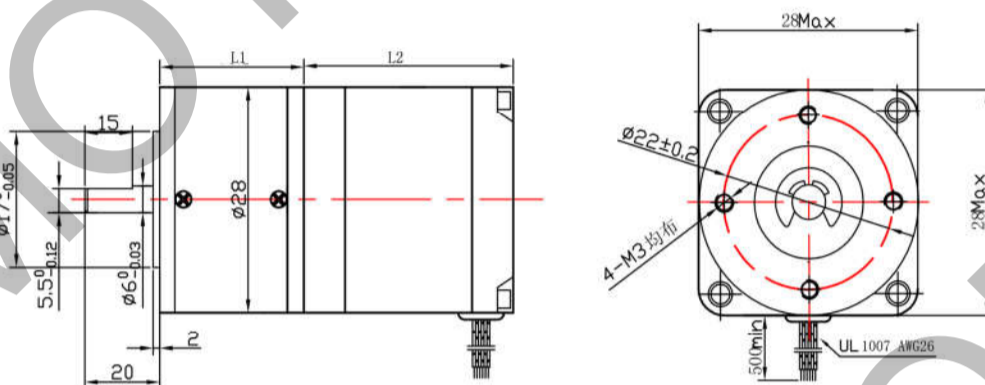


以上仅为代表性产品，派生产可根据客户要求制作！ We also manufacture products according to customer

可配减速机数据

减速比		3.71,5.18	13.7,19.2,27,	51,71,99,139
长度 L1	mm	31	41	51
额定负载	Nm	0.4	0.4	0.4
最大负载	Nm	0.6	0.6	0.6
效率	%	90	81	73
回差	arcmin	≤60	≤75	≤90

尺寸图



42 系列

电机规格参数

电机型号 Model	步矩角 Step angel (°)	机身長 Motor Length L2(mm)	相电压 Rate Voltage (V)	相电流 Rate Current (A)	相电阻 Phase Resistance (Ω)	相电感 Phase Inductance (mH)	静力矩 Holding Torque (Kg. cm)	引线数 Lead Wire (No.)	重量 Motor Weight (kg)
42HB34F08AJ	1.8	34	4.96	0.8	6.2	10	2.4	4	0.7
42HB34F105AJ	1.8	34	2.7	1.5	1.8	2.4	2.4	4	0.7
42HB40F107AJ	1.8	40	3.15	1.5	2.1	4.0	3.5	4	0.9
42HB48F107AJ	1.8	48	3.4	1.7	2.0	3.0	4.5	4	1.0

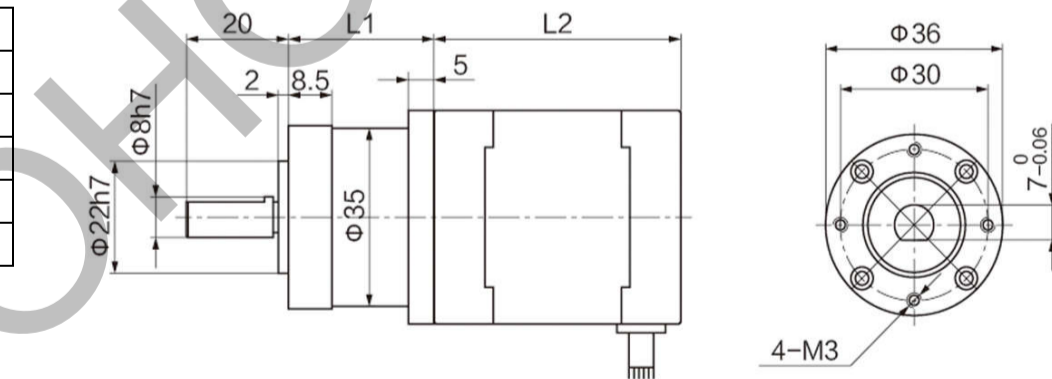


以上仅为代表性产品，派生产可根据客户要求制作！ We also manufacture products according to customer

可配减速机数据

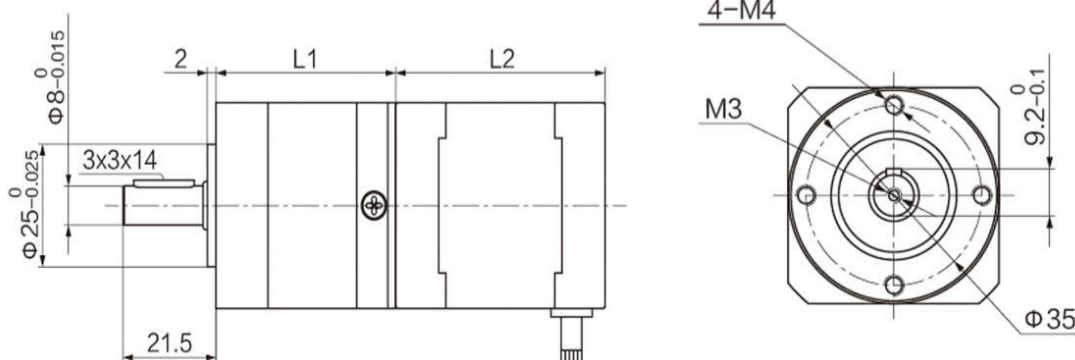
普通型

减速比		3.71,5.18	13.7,19.2,27,	51,71,99,139
长度 L1	mm	31	41	51
额定负载	Nm	0.4	0.4	0.4
最大负载	Nm	0.6	0.6	0.6
效率	%	90	81	73
回差	arcmin	≤60	≤75	≤90



精密型

减速比		4.5, 10	16, 20, 25, 40, 45, 50, 100
长度 L1	mm	42	52
额定负载	Nm	3.5	15
最大负载	Nm	6	25
效率	%	95	90
回差	arcmin	≤15	≤25



57 系列

电机规格参数

电机型号 Model	步矩角 Step angel (°)	机身長 Motor Length L2(mm)	相电压 Rate Voltage (V)	相电流 Rate Current (A)	相电阻 Phase Resistance (Ω)	相电感 Phase Inductance (mH)	静力矩 Holding Torque (kg.cm)	引线数 Lead Wire (NO.)	重量 Motor Weight (kg)
57HB41F2AJ	1.8	41	2.0	2.0	1.0	1.7	5	4	1.4
57HB56F3AJ	1.8	56	3.0	3.0	1.0	3.0	9	4	1.7
57HB64F2SG	1.8	64	7.0	2.0	3.6	12	12.6	4	1.8
57HB78F105AJ	1.8	78	6.8	1.5	4.5	15	13	4	1.9
57HB78F3SAJ	1.8	78	2.7	3	0.9	3	15	4	1.9

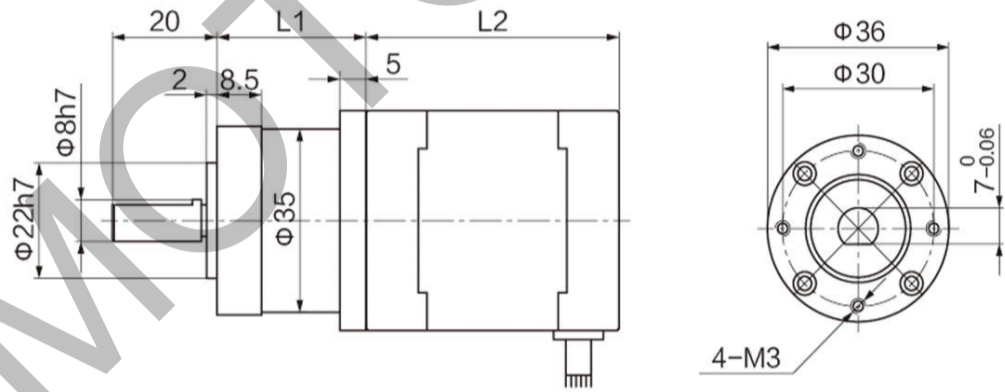


以上仅为代表性产品，派生产可根据客户要求制作！We also manufacture products according to customer

可配减速机数据

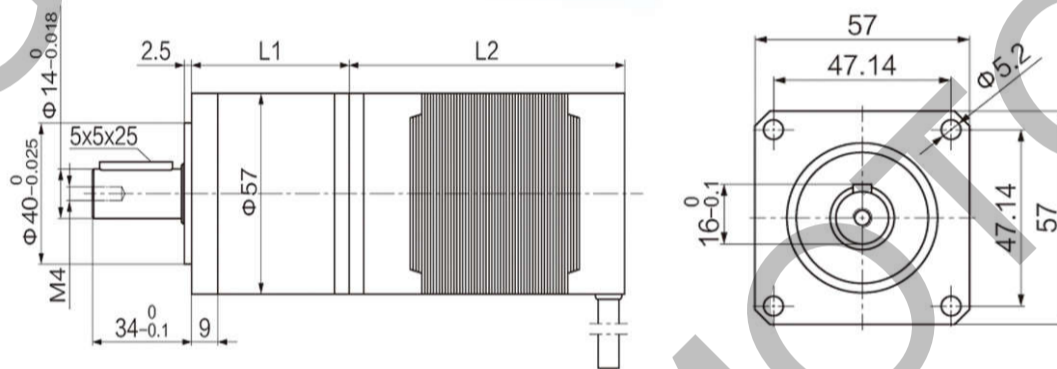
普通型

减速比		3,6,4,25	13,15,18	47,55,65,77
长度 L1	mm	31	41	63.1
额定负载	Nm	9	15	24
最大负载	Nm	26	44	71
效率	%	90	81	73
回差	arcmin	≤60	≤75	≤90



精密型

减速比		4,5, 10	16, 20, 25, 40, 45, 50, 100
长度 L1	mm	53	70
额定负载	Nm	6	25
最大负载	Nm	12	40
效率	%	95	90
回差	arcmin	≤15	≤25



86 系列

电机规格参数

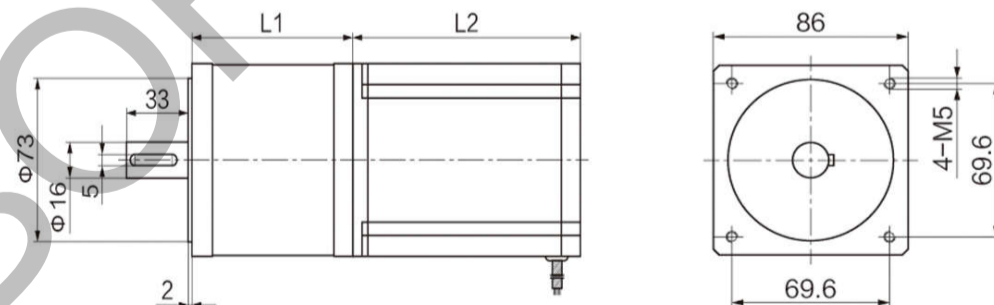
电机型号 Model	步矩角 Step angel (°)	机身長 Motor Length L2(mm)	相电压 Rate Voltage (V)	相电流 Rate Current (A)	相电阻 Phase Resistance (Ω)	相电感 Phase Inductance (mH)	静力矩 Holding Torque (N.M)	引线数 Lead Wire (NO.)	重量 Motor Weight (kg)
86HB80F205AJ	1.8	80	2.5	5.5	0.45	3	4.5	4	5
86HB98F5AJ	1.8	98	2.5	5	0.5	3.5	5.0	4	5.5
86HB113F4AJ	1.8	113	3.0	4.0	0.6	5.0	6.5	4	6.2
86HB156F5AJ	1.8	156	4.4	5.5	0.8	7.5	10	4	7.5



以上仅为代表性产品，派生产可根据客户要求制作！We also manufacture products according to customer

可配减速机数据

减速比		4,5, 10	16, 20, 25, 40, 45, 50, 100
长度 L1	mm	73	87
额定负载	Nm	50	80
最大负载	Nm	100	160
效率	%	96	94
回差	arcmin	≤15	≤25



减速步进电机一般用于在有限的空间里需要较高的转矩时，即小体积大转矩。

行星减速步进电机的可靠性和寿命都比齿轮减速器要好。 齿轮减速器则重量轻，体积小，成本低。

◆以上可选步进电机仅为代表性产品，也可按用户要求另行制作，例如电流电阻大小、双出轴，减速步进电机出轴方式。

◆减速步进电机输出转速计算公式：减速步进电机输出速度 = 步进电机转速 ÷ 速比

◆减速步进电机输出角度计算公式：脉冲数 × 360 ÷ 步进角度 ÷ 速比。步进角度即步进电机减速以前多少个脉冲转一圈，这个数值和步进电机步矩角，驱动器细分数相关

◆减速步进电机输出力矩计算公式：减速步进电机输出力矩 = 步进电机力矩 × 速比 × 有效值

◆减速步进电机输出力矩的计算方法先要对照步进电机的矩频特性，例如减速比 1: 5，选择的步进电机在 300 转/分钟的速度时的力矩是 0.2N.m，那么减速步进电机对应输出是在 60 转/分钟时输出力矩为 0.92N.m

微型一体化混合式步进电机

微型一体化混合式步进电机驱动器是一款驱动能力强、体积小、结构紧凑、定位精度高，支持外部脉冲方式、串口通信、CAN 总线、可配置增量式编码器和绝对式编码器（多种编码器规格可选），实现闭环伺服系统，主要有 BH240 系列、BH241 和 BH241IE 系列、BH242 和 BH242IE 系列，主要用于 28mm/42mm/57mm 系列混合式步进电机。



BH240 系列特性（基本型）

1. 12~40VDC 输入电压
2. 峰值电流 2A/4A 可调输出电流
细分为 1、2、4、8、16，H 桥双极恒流，在线可控脱机/使能
3. 输入信号光电隔离，单脉冲输入，下降沿有效
4. 整步最大脉冲频率 12K,16 细分时 200K

控制端口说明

端口	1	2	3	4	5	6
符号	V+	GND	VCC	DIR	STP	ENA
说明	工作电压正极	工作电压地线	共阳极输入端	方向输入信号	脉冲输入信号	使能端

BH241/241IE 系列特性

1. 支持 RS232S 三线串口通讯
2. 最高波特率 57600bps
3. 内置 64 位高性能 DSP 嵌入式微处理器
4. 高精度编码器，实现闭环伺服控制
5. 高级运动控制模块，线性/非线性加减速，s-曲线位移，PT/PVT 位置控制
6. 2 个传感器输入口（含模拟量输入，12 位）
7. 8 种控制事件实时状态变化通知
8. 6 种传感器事件触发，13 种预设实时控制动作
9. 定位精度高，高速响应，高速发力大，平滑低噪音
10. 42/57 步进电机转速可达 4000 转/分钟

控制端口说明

端口	1	2	3	4	5	6	7	8	9
符号	V+	GND	RX	TX	GND	AG	S1	S2	RST
说明	工作电压正极	工作电压地线	上位机串口的 RX 引脚	上位机串口的 TX 引脚	上位机串口的 GND	传感器输入模拟地	传感器输入 1	传感器输入 2	RS232 通讯波特率重设

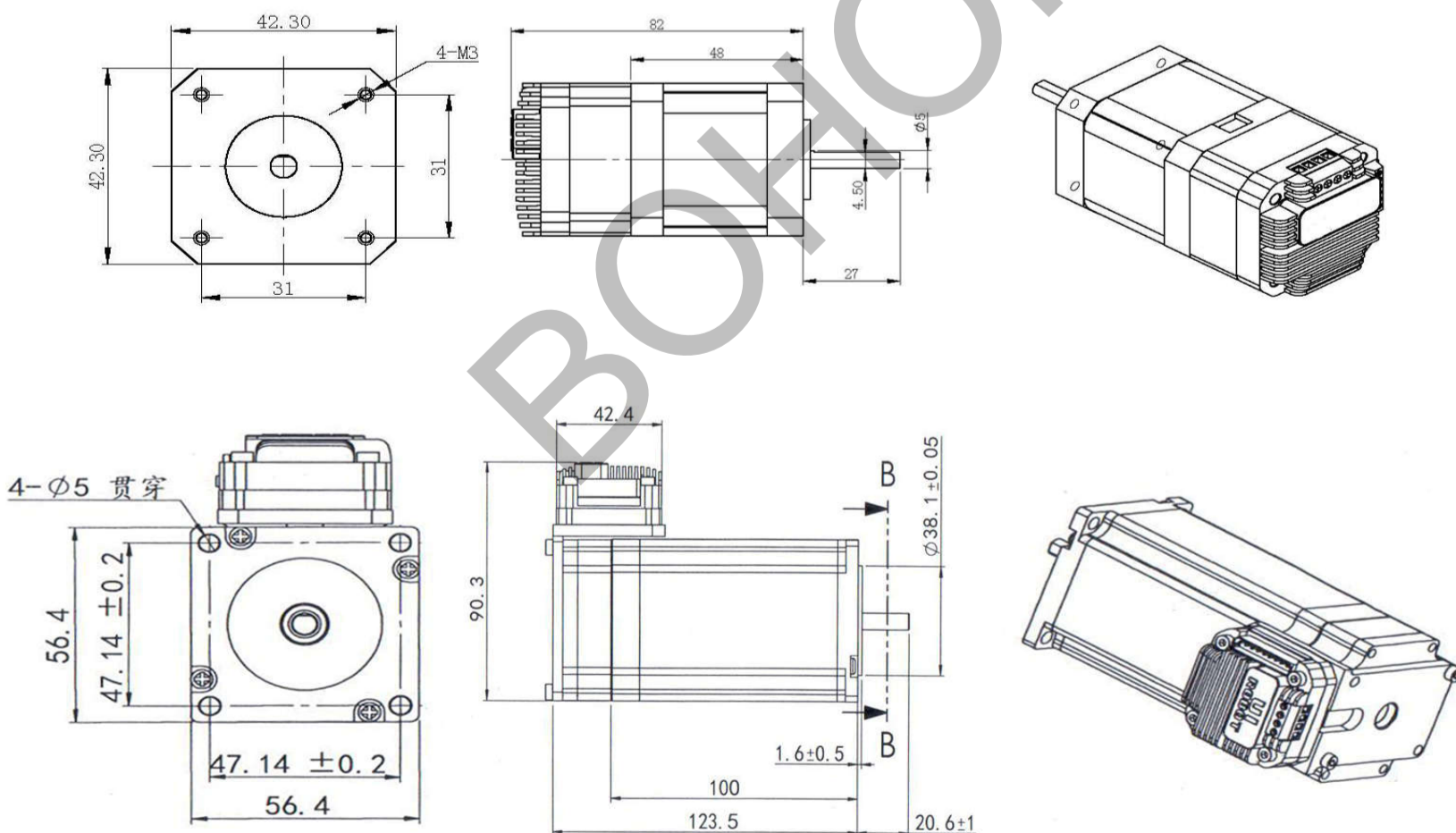
BH242/242IE 系列特性

1. 主动 CAN2.0B,全网络仅用两根线
2. 最高波特率 1M/s,最远 10 公里通讯距离
3. 差分总线，抗噪能力强
4. 内置 64 位高性能 DSP 嵌入式微处理器
5. 高精度编码器，实现闭环伺服控制
6. 高级运动控制模块，线性/非线性加减速，s-曲线位移，PT/PVT 位置控制
7. 2 个传感器输入口（含模拟量输入，12 位）
8. 12 种控制事件实时状态变化通知
9. 8 种传感器事件触发，13 种预设实时控制动作
10. 1 端口 TTL 电平输出，由 3 种事件或指令控制
11. 定位精度高，高速响应，高速发力大，平滑低噪音
12. 42/57 步进电机转速可达 4000 转/分钟

控制端口说明

端口	1	2	3	4	5	6	7	8	9
符号	V+	GND	CANH	CANL	AG	S1	S1	S3	P4
说明	工作电压正极	工作电压地线	CAN 总线高位线	CAN 总线低位线	传感器输入模拟地	传感器输入 1	传感器输入 2	传感器输入 2	TTL 电平信号输出

外形图 Dimensions



驱动器(DRIVERS)

BH-2H445

BH-2H445 是基于 DSP 控制的二相混合式步进电机驱动器,是新一代数字式步进电机驱动器。驱动电压为 DC20-50V, 适配电流在 4.0A 以下、外径 42-57mm 的各种型号的二相混合式步进电机。运行平稳, 震动和噪音极小。定位精度最高可达 40000 步/转。该产品广泛应用于激光打标机、线束加工设备、自动焊锡机、点胶机、广告设备、以及医疗器械上。

特点

- 设有 16 档等角度恒力矩细分, 最高分辨率 40000 步/转
- 最高响应频率可达 200Kpps
- 自动半流用户可设, 步进脉冲停止超过 1.5s 时, 线圈电流自动减到设定电流的一半
- 光电隔离信号输入/输出
- 驱动电流 1.0A/相到 4.0A/相分 8 档可调
- 单电源输入, 电压范围: DC20-50V

电流设定 驱动器工作电流由 SW1-SW3 拨码设定, 运行电流为正常工作有效输出电流, 设置开关详见下表

运行电流 (A)	1.0	1.2	1.5	2.0	2.5	3.0	3.5	4.0
SW1	ON	OFF	ON	OFF	ON	OFF	ON	OFF
SW2	ON	ON	OFF	OFF	ON	ON	OFF	OFF
SW3	ON	ON	ON	ON	OFF	OFF	OFF	OFF

其中 SW4 为半流/全流模式设定开关: OFF=Half Current (半流) ON=Full (全流)

细分设定 驱动器细分由 SW5-SW8 端子设定, 共 16 档。附表如: 细分数(脉冲/转)

细分数	200	400	800	1000	1600	2000	3200	4000	5000	6400	8000	10000	12800	20000	25600	40000
SW5	ON	OFF	ON	ON	OFF	OFF	ON	ON	OFF	OFF	ON	OFF	ON	ON	OFF	OFF
SW6	ON	ON	OFF	ON	OFF	ON	ON	OFF	OFF	ON	ON	ON	OFF	OFF	OFF	OFF
SW7	ON	ON	ON	ON	ON	ON	OFF	ON	ON	OFF	OFF	OFF	OFF	OFF	OFF	OFF
SW8	ON	ON	ON	OFF	ON	OFF	ON	OFF	OFF	ON	OFF	OFF	ON	OFF	ON	OFF

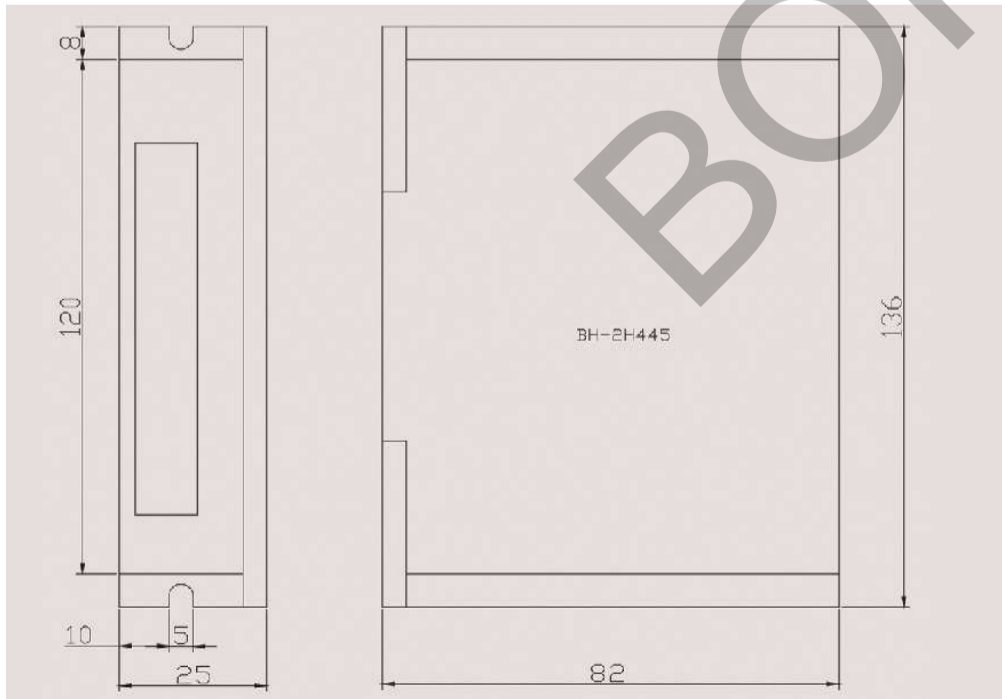
注: 可根据客户要求定制细分数!

- 1、输入电压不能超过 DC50V;
- 2、输入控制信号电平为 +5V--+28V 范围, 高于 +5V 时无需外接限流电阻;
- 3、输入脉冲信号下降沿有效;
- 4、驱动器温度超过 80 度时驱动器停止工作, 故障指示灯 ALM 亮, 直到驱动器温度降到 50 度时, 驱动器需要重新上电才能恢复工作。出现过热保护请加装散热器。机柜内有多台驱动器并列使用时要保证相互之间的距离不小于 5CM。
- 5、过流(负载短路)故障指示灯 ALM 亮, 请检查电机接线及其他短路故障, 排除后需要重新上电恢复;
- 6、无电机故障指示灯 ALM 亮, 请检查电机接线, 排除后需要重新上电恢复。

引脚功能说明

标记符号	功能	注释
PU+	输入信号光电隔离正端	接信号电源正端, 幅度范围+5V--+28V 均可驱动, 高于+5V 时无需外接限流电阻
PU-	输入步进脉冲信号	下降沿有效, 每当脉冲由高变低时电机走一步, 输入电阻 220Ω, 要求: 低电平 0-0.5V, 高电平大于 4V, 脉冲宽度>2.5μS
DR+	输入信号光电隔离正端	接信号电源正端, 幅度范围+5V--+28V 均可驱动, 高于+5V 时无需外接限流电阻
DR-	输入方向控制信号	用于改变电机转向。输入电阻 220Ω, 要求: 低电平 0-0.5V, 高电平大于 4V, 脉冲宽度>2.5μS
MF+	输入信号光电隔离正端	接信号电源正端, 幅度范围+5V--+28V 均可驱动, 高于+5V 时无需外接限流电阻
MF-	电机使能释放信号	有效(低电平)时关断电机线圈电流, 驱动器停止工作, 电机处于释放状态
V-	电源负端	电源: DC20-50V
V+	电源正端	
A+	电机接线	
A-		
B+		
B-		

外形尺寸图



驱动器(DRIVERS)

BH-2H645

2H645 是基于 DSP 控制的二相混合式步进电机驱动器,是新一代数字式步进电机驱动器。驱动电压为 DC24-50V, 适配电流在 4.5A 以下、外径 42-57mm 的各种型号的六线或八线的二相混合式步进电机。运行平稳, 震动和噪音极小。定位精度最高可达 40000 步/转。该产品广泛应用于雕刻机、加工设备、电子设备、点胶机上。

特点

- 设有 16 档等角度恒力矩细分, 最高分辨率 40000 步/转
- 最高反应频率可达 200Kpps
- 步进脉冲停止超过 1.5s 时, 线圈电流自动减到设定电流的一半
- 光电隔离信号输入/输出
- 驱动电流 0.8A/相到 4.5A/相分 16 档可调
- 单电源输入, 电压范围: DC24-50V

电流设定 驱动器工作电流由 D1-D4 端子设定, 运行电流为正常工作输出电流设置开关 (详见下表)

运行电流 (A)	0.8	1.0	1.2	1.5	1.8	2.0	2.3	2.5	2.8	3.0	3.2	3.5	3.8	4.0	4.2	4.5
D1	OFF	OFF	OFF	OFF	OFF	OFF	OFF	OFF	ON	ON	ON	ON	ON	ON	ON	ON
D2	OFF	OFF	OFF	OFF	ON	ON	ON	ON	OFF	OFF	OFF	OFF	ON	ON	ON	ON
D3	OFF	OFF	ON	ON	OFF	OFF	ON	ON	OFF	OFF	ON	ON	OFF	OFF	ON	ON
D4	OFF	ON	OFF	ON	OFF	ON	OFF	ON	OFF	ON	OFF	ON	OFF	ON	OFF	ON

细分设定 驱动器细分由 D5-D8 端子设定, 共 16 档, D9 和 D10 为功能设定。附表如: 细分数(脉冲/转)

细分数	200	400	800	1000	1600	2000	3200	4000	5000	6400	8000	10000	12800	16000	20000	40000
D5	ON	ON	ON	ON	ON	ON	ON	ON	OFF	OFF	OFF	OFF	OFF	OFF	OFF	OFF
D6	ON	ON	ON	ON	OFF	OFF	OFF	OFF	ON	ON	ON	ON	OFF	OFF	OFF	OFF
D7	ON	ON	OFF	OFF	ON	ON	OFF	OFF	ON	ON	OFF	OFF	ON	ON	OFF	OFF
D8	ON	OFF	ON	OFF	ON	OFF	ON	OFF	ON	OFF	ON	OFF	ON	OFF	ON	OFF
D9	ON, 双脉冲: PU 为正向步进脉冲信号, DR 为反向步进脉冲信号															
	OFF, 单脉冲: PU 为步进脉冲信号, DR 为方向控制信号															
D10	自动检测开关 (OFF 时接收外部脉冲, ON 时驱动器内部以 30 转/分的速度运行)															

注: 可根据客户要求定制细分数!

注意 1、输入电压不能超过 DC50V;

2、输入控制信号电平为 5V, 当高于 5V 时需要接限流电阻;

3、输入脉冲信号下降沿有效;

4、驱动器温度超过 80 度时驱动器停止工作, 故障指示灯 ALM 亮, 直到驱动器温度降到 50 度时, 驱动器需要重新上电才能恢复工作。出现过热保护请加装散热器。机柜内有多个驱动器并列使用时要保证相互之间的距离不小于 5CM。

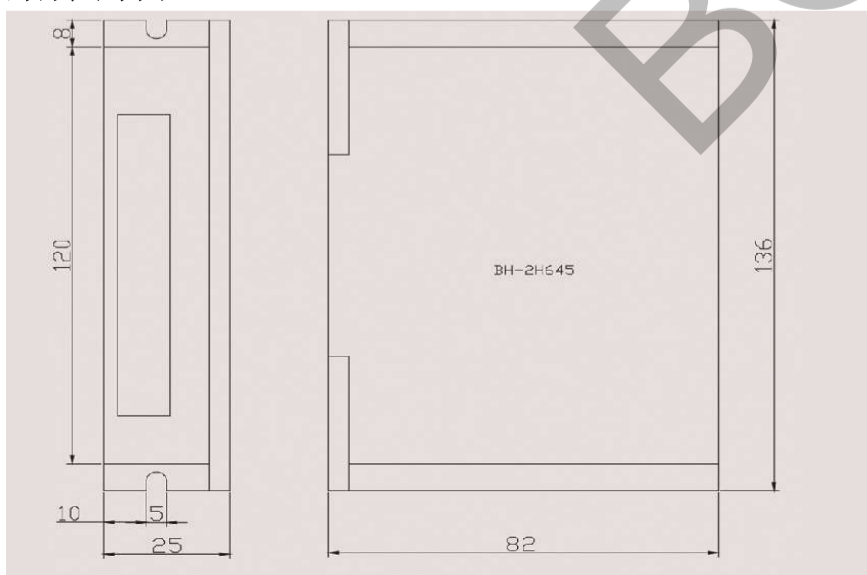
5、过流 (负载短路) 故障指示灯 ALM 亮, 请检查电机接线及其他短路故障, 排除后需要重新上电恢复;

6、无电机故障指示灯 ALM 亮, 请检查电机接线, 排除后需要重新上电恢复。

引脚功能说明

标记符号	功能	注释
PU+	输入信号光电隔离正端	接+5V 供电电源, +5V-+24V 均可驱动, 高于+5V 需接限流电阻
PU-	DP9= OFF, PU 为步进脉冲信号	下降沿有效, 每当脉冲由高变低时电机走一步, 输入电阻 220Ω, 要求: 低电平 0-0.5V, 高电平 4-5V, 脉冲宽度>2.5μS
	DP9=ON, PU 为正相步进脉冲信号	
DR+	输入信号光电隔离正端	接+5V 供电电源, +5V-+24V 均可驱动, 高于+5V 需接限流电阻
DR-	DP9= OFF, DR 为方向控制信号	用于改变电机转向。输入电阻 220Ω, 要求: 低电平 0-0.5V, 高电平 4-5V, 脉冲宽度>2.5μS
	DP9=ON, DR 为反向步进脉冲信号	
MF+	输入信号光电隔离正端	接+5V 供电电源, +5V-+24V 均可驱动, 高于+5V 需接限流电阻
MF-	电机释放信号	有效 (低电平) 时关断电机线圈电流, 驱动器停止工作, 电机处于释放状态
V-	电源负	电源: DC24-50V
V+	电源正	
B+	电机接线	
B-		
A+		
A-		
BC		
AC		

外形尺寸图



驱动器(DRIVERS)

BH-2H860

BH-2H860 是基于 DSP 控制的二相步进电机驱动器,是新一代数字步进电机驱动器。驱动电压为 AC18V-80V, 适配电流在 6.0A 以下、外径 57-86mm 的各种型号的二相混合式步进电机。运行平稳, 震动和噪音极小。定位精度最高可达 40000 步/转。该产品广泛应用于雕刻机、中型数控机床、电脑绣花机、包装机械等分辨率较高的小、中型数控设备上。

特点

- 高性能、低价格
- 设有 16 档等角度恒力矩细分, 最高分辨率 40000 步/转
- 最高反应频率可达 200Kpps
- 步进脉冲停止超过 1.5s 时, 线圈电流自动减到设定电流的一半
- 光电隔离信号输入/输出
- 驱动电流 2A/相到 6.0A/相分 16 档可调
- 单电源输入, 电压范围: AC18V-80V

电流设定 驱动器工作电流由 SW1-SW3 端子设定, 运行电流为正常工作输出电流设置开关 (详见下表)

运行电流 (A)	2.0	2.5	3.2	3.8	4.2	4.8	5.3	6.0
SW1	ON	OFF	ON	OFF	ON	OFF	ON	OFF
SW2	ON	ON	OFF	OFF	ON	ON	OFF	OFF
SW3	ON	ON	ON	ON	OFF	OFF	OFF	OFF

其中 SW4 为半流/全流模式设定开关: OFF=Half Current (半流) ON=Full (全流)

细分设定 驱动器细分由 SW5-SW8 端子设定, 共 16 档, SW9 和 SW10 为功能设定。附表如: 细分数 (脉冲/转)

细分数	400	800	1000	1600	2000	3200	4000	5000	6400	8000	10000	12800	20000	25600	40000	51200
SW5	ON	OFF	ON	ON	OFF	OFF	ON	OFF	ON	ON	OFF	OFF	ON	ON	OFF	OFF
SW6	ON	ON	ON	OFF	ON	OFF	OFF	OFF	ON	ON	ON	ON	OFF	OFF	OFF	OFF
SW7	ON	ON	ON	ON	ON	ON	ON	ON	OFF	OFF	OFF	OFF	OFF	OFF	OFF	OFF
SW8	ON	ON	OFF	ON	OFF	ON	OFF	OFF	ON	OFF	OFF	ON	OFF	ON	OFF	ON
SW9	ON, 双脉冲: PU 为正向步进脉冲信号, DR 为反向步进脉冲信号															
	OFF, 单脉冲: PU 为步进脉冲信号, DR 为方向控制信号															
SW10	自动检测开关 (OFF 时接收外部脉冲, ON 时驱动器内部以 30 转/分的速度运行)															

注: 可根据客户要求定制细分数!

注意 1、输入电压不能超过 AC80V;

2、输入控制信号电平为 5-28V,

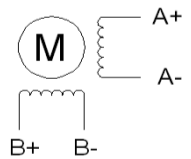
3、输入脉冲信号下降沿有效;

4、驱动器温度超过 80 度时驱动器停止工作, 故障指示灯 ALM 亮, 直到驱动器温度降到 50 度时, 驱动器需要重新上电才能恢复工作。出现过热保护请加装散热器;

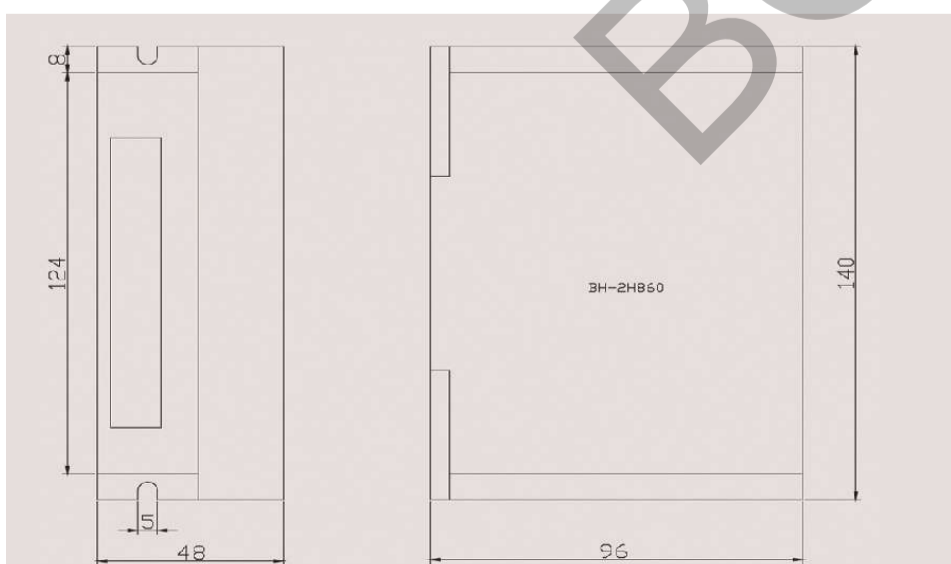
5、过流 (负载短路) 故障指示灯 ALM 亮, 请检查电机接线及其他短路故障, 排除后需要重新上电恢复;

6、无电机故障指示灯 ALM 亮, 请检查电机接线, 排除后需要重新上电恢复。

引脚功能说明

标记符号	功能	注释
PU+	输入信号光电隔离正端	接+5V 供电电源, +5V-+24V 均可驱动,
PU-	SW9= OFF, PU 为步进脉冲信号	下降沿有效, 每当脉冲由高变低时电机走一步, 输入电阻 220Ω, 要求: 低电平 0-0.5V, 高电平 4-5V, 脉冲宽度>2.5μS
	SW9=ON, PU 为正向步进脉冲信号	
DR+	输入信号光电隔离正端	接+5V 供电电源, +5V-+24V 均可驱动,
DR-	SW9= OFF, DR 为方向控制信号	用于改变电机转向。输入电阻 220Ω, 要求: 低电平 0-0.5V, 高电平 4-5V, 脉冲宽度>2.5μS
	SW9=ON, DR 为反向步进脉冲信号	
MF+	输入信号光电隔离正端	接+5V 供电电源, +5V-+24V 均可驱动,
MF-	电机释放信号	有效 (低电平) 时关断电机接线电流, 驱动器停止工作, 电机处于自由状态
ACV-	电源负极	电源: AC18-80V
ACV+	电源正极	
A+	电机接线	
A-		
B+		
B-		

外形尺寸图



驱动器(DRIVERS)

BH-3P860

3P860 是基于 DSP 控制的三相步进电机驱动器。它是将先进的 DSP 控制芯片和三相逆变驱动模块结合在一起所构成的新一代数字步进电机驱动器。驱动电压为 AC80V-290V，适配电流在 1.3A 到 7.0A、外径 57-130mm 的各种型号的三相混合式步进电机。该驱动器内部采用类似伺服控制原理的电路，此电路可以使电机运行平稳，几乎没有震动和噪音，电机在高速时，力矩大大高于二相和五相混合式步进电机。定位精度最高可达 60000 步/转。该产品广泛应用于木工雕刻机、数控机床、电脑绣花机、包装设备、陶瓷设备以及激光切割设备上。

特点

- 设有 16 档等角度恒力矩细分，最高分辨率 60000 步/转
- 最高反应频率可达 200Kpps
- 步进脉冲停止超过 1.5s 时，线圈电流自动减到设定电流的一半
- 光电隔离信号输入/输出
- 驱动电流 1.3A/相到 7.0A/相分 16 档可调
- 单电源输入，电压范围：AC80V-290V
- 相位记忆功能（注：输入停止超过 3 秒后，驱动器自动记忆当时电机相位，重新上电或 MF 信号由低电平变为高电平时，驱动器自动恢复电机相位）。

电流设定 驱动器工作电流由 D1-D4 端子设定，运行电流为正常工作输出电流设置开关（详见下表）

运行电流 (A)	1.3	1.6	2.1	2.3	2.5	3.0	3.2	3.5	4.0	4.5	5.0	5.3	5.8	6.2	6.5	7.0
D1	OFF	OFF	OFF	OFF	OFF	OFF	OFF	OFF	ON	ON	ON	ON	ON	ON	ON	ON
D2	OFF	OFF	OFF	OFF	ON	ON	ON	ON	OFF	OFF	OFF	OFF	ON	ON	ON	ON
D3	OFF	OFF	ON	ON	OFF	OFF	ON	ON	OFF	OFF	ON	ON	OFF	OFF	ON	ON
D4	OFF	ON	OFF	ON	OFF	ON	OFF	ON	OFF	ON	OFF	ON	OFF	ON	OFF	ON

细分设定 驱动器细分由 D5-D8 端子设定，共 16 档，D9 和 D10 为功能设定。附表如：细分数(脉冲/转)

细分数	400	500	600	800	1000	1200	2000	3000	OFF	OFF	OFF	OFF	OFF	OFF	OFF	OFF
D5	ON	ON	ON	ON	ON	ON	ON	ON	ON	ON	ON	ON	ON	OFF	OFF	OFF
D6	ON	ON	ON	ON	OFF	OFF	OFF	OFF	ON	ON	OFF	OFF	ON	ON	OFF	OFF
D7	ON	ON	OFF	OFF	ON	ON	OFF	OFF	ON	OFF	ON	OFF	ON	OFF	ON	OFF
D8	ON	OFF	ON	OFF	ON	OFF	ON	OFF	OFF	OFF	OFF	OFF	OFF	OFF	OFF	OFF
D9	ON, 双脉冲: PU 为正向步进脉冲信号, DR 为反向步进脉冲信号 OFF, 单脉冲: PU 为步进脉冲信号, DR 为方向控制信号															
D10	自动检测开关 (OFF 时接收外部脉冲, ON 时驱动器内部以 30 转/分的速度运行)															

注：可根据客户要求定制细分数！

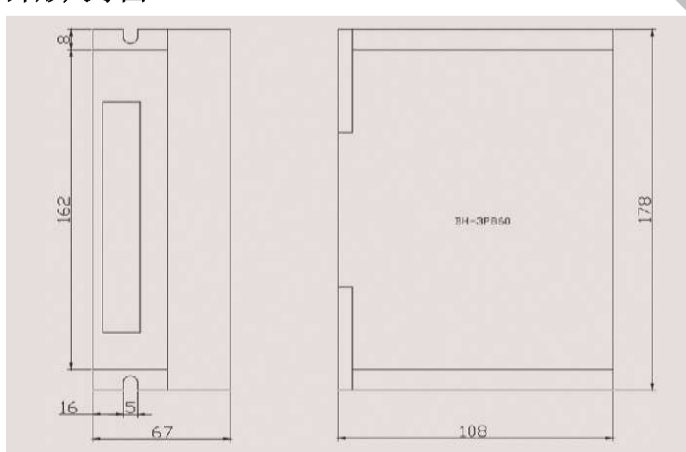
- 注意**
- 1、输入电压低于 AC80V 高于 AC290V 时，驱动器会自动保护；
 - 2、输入控制信号电平为 5V，当高于 5V 时需要接限流电阻，驱动器自带 24V 的信号接口；
 - 3、输入脉冲信号下降沿有效；
 - 4、驱动器的散热风扇在当驱动器的温度超过 48 °时才开始工作
 - 5、驱动器温度超过 80 °度时驱动器停止工作，故障指示灯 ALM 亮，直到驱动器温度降到 50 度时，驱动器需要重新上电才能恢复工作。出现过热保护请加装散热器；
 - 6、过流（负载短路）故障指示灯 ALM 亮，请检查电机接线及其他短路故障，排除后需要重新上电恢复；
 - 7、无电机故障指示灯 ALM 亮，请检查电机接线，排除后需要重新上电恢复。

！故障现象对应（电源灯 POW 灯除外）

- 1 模块过流：单红灯（ALM 灯）常亮 2 驱动过热：红灯（ALM 灯）与两绿灯（PU 灯和 DR 灯）交替亮 3 欠压：红灯（ALM 灯）与 DR 灯同亮 4 过压：红灯（ALM 灯）快闪

端口定义	接头引脚号	标记符号	功能	注释	
DB15	1	PU+	输入信号光电隔离正端	接+5V 供电电源，+5V-+24V 均可驱动，高于+5V 需接限流电阻	
	2	PU-	DP9= OFF, PU 为步进脉冲信号	下降沿有效，每当脉冲由高变低时电机走一步，输入电阻 220Ω，要求：低电平 0-0.5V，高电平大于 4V，脉冲宽度>2.5μS	
			DP9=ON, PU 为正向步进脉冲信号		
	3	DR+	输入信号光电隔离正端	接+5V 供电电源，+5V-+24V 均可驱动，高于+5V 需接限流电阻	
	4	DR-	DP9= OFF, DR 为方向控制信号	用于改变电机转向。输入电阻 220Ω，要求：低电平 0-0.5V，高电平大于 4V，脉冲宽度>2.5μS	
			DP9=ON, DR 为反向步进脉冲信号		
	7	MF+	输入信号光电隔离正端	接+5V 供电电源，+5V-+24V 均可驱动，高于+5V 需接限流电阻	
	8	MF-	电机释放信号	有效（低电平）时关断电机接线电流，驱动器停止工作，电机处于自由状态	
	9	ALM+	驱动器故障输出信号光电隔离正端	驱动器出现过流、过热故障时，驱动器输出故障信号，该信号有效（低电平）	
	10	ALM-	驱动器故障好输出信号光电隔离负端		
	11	RDY+	驱动器准备好输出信号光电隔离正端	驱动器状态正常，准备就绪接受控制器信号时该信号有效（低电平）	
	12	RDY-	驱动器准备好输出信号光电隔离负端		
	13	24PU+	输入信号光电隔离正端	+24V 可驱动	
	14	24DR+	输入信号光电隔离正端	+24V 可驱动	
	15	24MF+	输入信号光电隔离正端	+24V 可驱动	
电机、电源端	1、2	L、N	电源	电源：AC170-260V	
	3	NC	空端		
	4	U	电机接线		
	5	V			
	6	W			

外形尺寸图



伺服电机 (AC SERVO MOTOR)

SMG 交流伺服电机简要说明

SMG 系列交流永磁同步伺服电动机拥有自主知识产权。采用高性能稀土永磁材料，具有低惯量，高功率密度，超强过载能力，极低转矩脉动，低噪音等突出优点。

- 适应恶劣环境，性价比高；
- 高性能稀土永磁转子，高转矩低惯量，动态响应好；
- 三相正弦波设计，具有极好地低速平滑特性；
- F 级绝缘，内置温度保护器；
- 光电编码器（增量或绝对式，旋转变压器可选）；
- IP65 高防护等级。



SMG 伺服电动机命名规则

60 S M G — 02 40 30 6 E B C — XX
① ② ③ ④ ⑤ ⑥ ⑦ ⑧ ⑨ ⑩

1. 机座号 — 60, 80, 90, 110, 130, 180 (单位: mm)
2. S M G — 高功率密度同步电动机
3. 02 — 驱动器输入电压 2 — 220VAC (50/60Hz) 3 — 380VAC (50/60Hz)
4. 40 — 额定功率 (W)
5. 30 — 额定转速 x100 (30x100=3000) rpm
6. 6 — 电动机级数
7. E — 反馈装置 E — 编码器 (增量式 2500p/rev 或绝对式) R — 旋转变压器
8. B — 刹车装置 B — 失电制动器 N — 无失电制动器
9. C — 出线方式 C — 航空插座 L — 直接引出线
10. XX — 派生号

SMG 伺服电动机储运说明

存储、运输说明

存储温度: -25°C ~ $+55^{\circ}\text{C}$, 不结冰; 相对湿度: 5%~95%, 无凝露; 远离腐蚀、可燃性气体, 油滴, 灰尘。运输: 包装不能重压, 轻拿轻放。

SMG 伺服电动机技术特性简介

一般技术特性

适用环境特性: 在 5°C ~ $+40^{\circ}\text{C}$ 海拔不超过 1000 米, 常压条件下, 电动机能够满足额定输出功率。

功率损耗: 在 40°C ~ $+50^{\circ}\text{C}$, 海拔超过 1000 米, 每增加 100 米, 功率减小 1.5%。

失电制动器 (可选): 电动机在无励磁或突然断电时, 制动器工作, 保持电动机轴不会转动, 避免造成人身伤害或设备损坏。

轴承特性: 所有 SMG 伺服电动机均采用进口单列双面防尘滚珠球轴承, 高低温油脂, 在正常负载情况下其寿命不小于 20000 小时。

电气技术特性

电气技术特性包括伺服单元避免受外围电磁设备干扰和干扰其他设备, 要求具有良好的屏蔽措施。电动机的地线必须粗短接地可靠 (标准大地), 同时屏蔽线必须接在一个足够大的金属平面上, 防止高频干扰, 严格区分屏蔽线和地线, 不能混淆。电动机与伺服驱动器之间的连接线必须是屏蔽线, 其电抗容量, 电动机动力线缆不小于 150pF/m, 位置反馈线缆不小于 120 pF/m。

机械技术特性

电动机外壳部分不能有重压和外部冲击力, 以免损坏电动机。禁止在机构运转过程中清理机构表面, 以免造成伤害。伺服电动机在安装过程中必须保证负载轴系与电动机轴的同心度, 避免电动机断轴和损坏负载机构。如果电动机的轴端安装同步带轮、齿轮, 斜齿轮和行星齿轮, 必须参考电动机的轴向 (F_a) 和径向 (F_r) 载荷的技术参数进行校核, 以免损坏电动机; 校核标准如下: 同步带轮、齿轮, 斜齿轮和行星齿轮的直径 $d_{\min} \geq 2T_m$. T_m 是伺服电动机的峰值转矩。

伺服电机 (AC SERVO MOTOR)

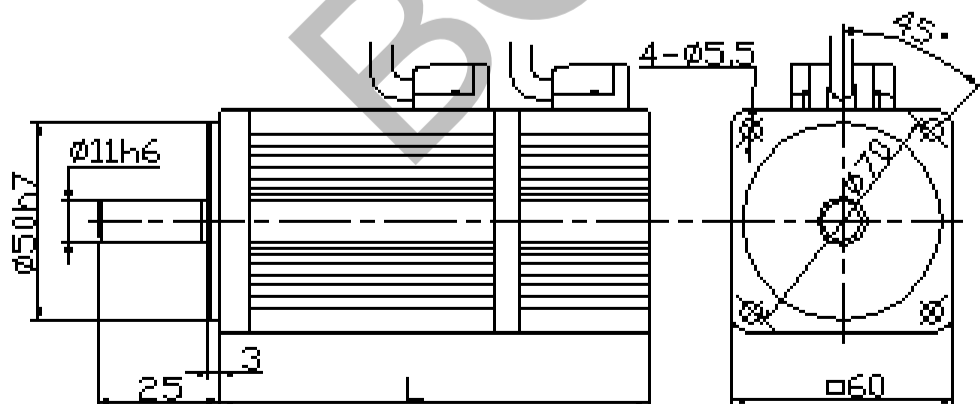
60SMG

伺服电动机型号		60SMG0220306ENC-xx 60SMG0220306ENL-xx	60SMG0240306ENC-xx 60SMG0240306ENL-xx														
额定功率 Pn (W)		200	400														
额定转矩 Tn (N.m)		0.64	1.27														
额定转速 n (rpm)		3000	3000														
额定电流 In (A)		1.63	3.08														
瞬时最大转矩 Tm (N.m)		1.82	3.92														
瞬时最大电流 Im (A)		4.89	9.24														
连续静态转矩 Ts (N.m)		0.7	1.39														
连续静态电流 Is (A)		1.79	3.38														
反电势常数 Ke (V/kr pm)		29	29														
转矩常数 Tt (N.m/A)		0.48	0.48														
线电阻 RL(Ω)		8.02	3.52														
线电感 LL(Mh)		16.3	7.8														
电气时间常数 τe (ms)		2.03	2.22														
机械时间常数 τm (ms)		2.26	1.35														
转动惯量 Jm (Kgc ² m)		0.375	0.51														
极数		6	6														
最大允许 du/dt (KV/μs)		8	8														
绝缘等级		F	F														
轴承径向力 Fr (N)		180	180														
轴承轴向力 Fa (N)		90	90														
重量 Kg		1.3	1.8														
位置反馈装置	2500ppr 光电编码器 (增量式) 或正余弦旋转编码器																
温度传感器	可选																
冷却方式	全封闭, 自冷却																
防护等级	IP65, 轴端 IP54																
使用环境	温度	-25~+40°C (不结冰)															
	湿度	95%RH 以下 (无凝露)															
	环境	远离腐蚀、可燃性气体, 油滴, 灰尘															
	海拔	最高海拔 4000 米, 海拔超过 1000 米, 每增加 100 米, 功率减小 1.5%															
额定条件	温升	环境温度 40°C 时, 机壳表面温升 60K															
电机绕组插座	1	2	3	4	5	6	7										
	U	V	W	制动器 (+)	制动器 (+)	NC	接地										
光电编码器	1	2	3	4	5	6	7	8	9	10	11	12	13	14	15	16	17
	DC +5V	0V	A+	A-	B	B-	温+	温-	U+	U-	V+	V-	NC	Z+	Z-	W+	W-

60SMG 系列机身长度一览表 (单位: mm)

长度	无制动器	有制动器
L 功率 (W)		
200	120	164
400	150	194

60SMG 系列安装尺寸



伺服电机 (AC SERVO MOTOR)

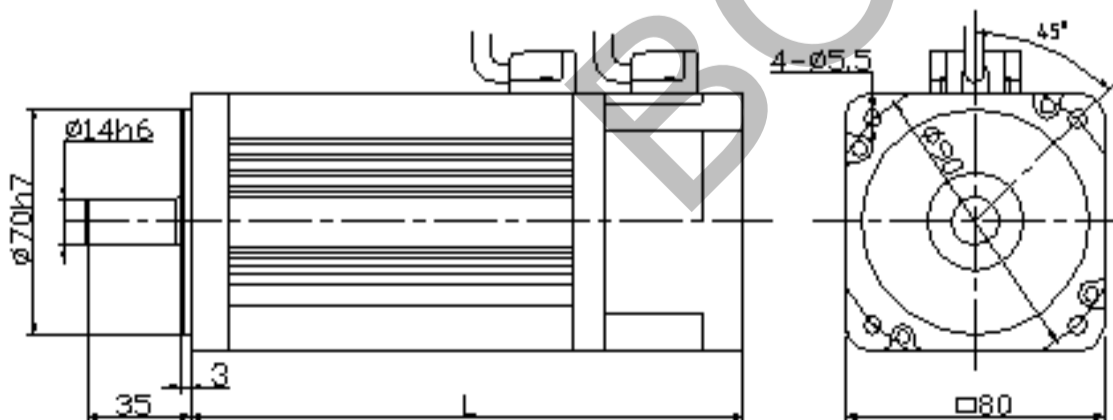
80SMG

伺服电动机型号		80SMG0275306ENC-xx 80SMG0275306ENL-xx	80SMG02100306ENC-xx 80SMG02100306ENL-xx														
额定功率 Pn (W)		750	1000														
额定转矩 Tn (N.m)		2.39	3.18														
额定转速 n (rpm)		3000	3000														
额定电流 In (A)		4.8	6.3														
瞬时最大转矩 Tm (N.m)		7.17	9.48														
瞬时最大电流 Im (A)		14.4	18.9														
连续静态转矩 Ts (N.m)		2.63	3.3														
连续静态电流 Is (A)		5.28	6.93														
反电势常数 Ke (V/kr pm)		34	34														
转矩常数 Tt (N.m/A)		0.562	0.562														
线电阻 RL(Ω)		1.15	0.86														
线电感 LL(Mh)		5.8	4.5														
电气时间常数 τe (ms)		5.04	5.23														
机械时间常数 τm (ms)		0.86	0.89														
转动惯量 Jm (Kgcm)		1.36	1.9														
极数		6	6														
最大允许 du/dt (KV/μs)		8	8														
绝缘等级		F	F														
轴承径向力 Fr (N)		335	335														
轴承轴向力 Fa (N)		167.5	167.5														
重量 Kg		3.3	3.9														
位置反馈装置		2500ppr 光电编码器 (增量式) 或正余弦旋转编码器															
温度传感器		可选															
冷却方式		全封闭, 自冷却															
防护等级		IP65, 轴端 IP54															
使用环境	温度	-25~+40℃ (不结冰)															
	湿度	95%RH 以下 (无凝露)															
	环境	远离腐蚀、可燃性气体, 油滴, 灰尘															
	海拔	最高海拔 4000 米, 海拔超过 1000 米, 每增加 100 米, 功率减小 1.5%															
额定条件	温升	环境温度 40℃ 时, 机壳表面温升 60K															
电机绕组插座	1	2	3	4	5	6	7										
	U	V	W	制动器 (+)	制动器 (+)	NC	接地										
光电编码器	1	2	3	4	5	6	7	8	9	10	11	12	13	14	15	16	17
	DC	0	A	A-	B	B-	温+	温-	U+	U-	V	V-	NC	Z+	Z-	W+	W-
	+5V	V	+								+						

80SMG 系列机身长度一览表 (单位: mm)

功率 (W)	长度 L	无制动器	有制动器
750		147	197
1000		167	217

80SMG 系列安装尺寸



伺服电机 (AC SERVO MOTOR)

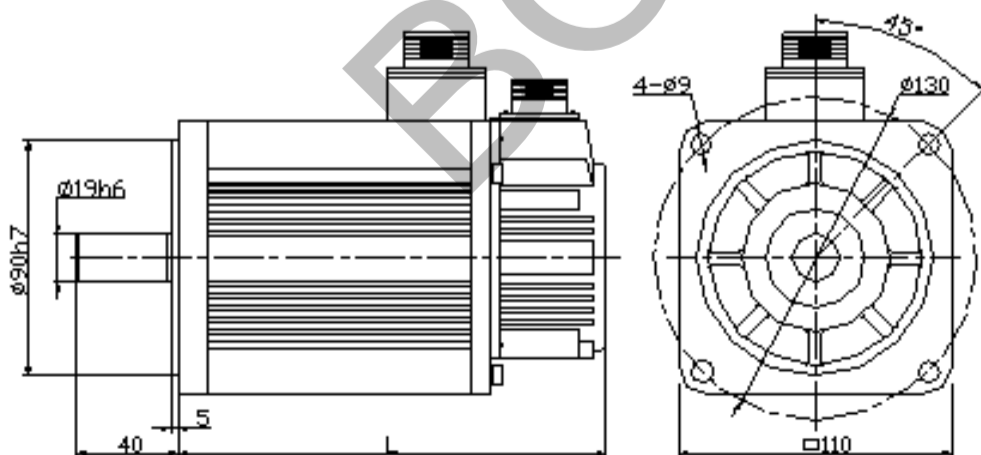
110SMG

伺服电动机型号	110SMG02 84208ENC -xx	110SMG02 84208ENC -xx	110SMG02 126308EN C-xx	110SMG02 105208EN C-xx	110SMG02 157308EN C-xx	110SMG02 126208EN C-xx	110SMG02 188308EN C-xx										
额定功率 Pn (W)	840	840	1260	1050	1570	1260	1880										
额定转矩 Tn (N.m)	4.0		5.0		6.0												
额定转速 n (rpm)	2000	2000	3000	2000	3000	2000	3000										
额定电流 In (A)	4.3	6.2	7.7	5.4	9.6	6.15	11										
瞬时最大转矩 Tm (N.m)	12	12	12	15	15	18	18										
瞬时最大电流 Im (A)	12.9	18.6	23.1	16.2	28.8	18.45	33										
连续静态转矩 Ts (N.m)	4.4	4.4	4.4	5.5	5.5	6.6	6.6										
连续静态电流 Is (A)	4.73	6.82	8.47	5.94	10.56	6.765	12.1										
反电势常数 Ke (V/krpm)	64	45	35	60	35	64	35										
转矩常数 Tt (N.m/A)	1.058	0.744	0.578	0.992	0.578	1.058	0.578										
线电阻 RL(Ω)	1.83	0.8	0.492	1.37	0.5	1.258	0.45										
线电感 LL(Mh)	13.5	6.4	4.3	10.5	3.3	9.62	2.9										
电气时间常数 τe (ms)	7.37	7.9	8.74	7.66	6.6	7.64	6.44										
机械时间常数 τm (ms)	1.63	1.4	1.47	1.85	1.86	1.65	1.98										
转动惯量 Jm (Kgc ²)	5.8	5.8	5.8	7.2	7.2	8.5	8.5										
极数	8	8	8	8	8	8	8										
最大允许 du/dt (KV/μs)	8	8	8	8	8	8	8										
绝缘等级	F	F	F	F	F	F	F										
轴承径向力 Fr (N)	630	630	630	630	630	630	630										
轴承轴向力 Fa (N)	315	315	315	315	315	315	315										
重量 Kg	6.2		7.2		8.2												
位置反馈装置	2500ppr 光电编码器 (增量式) 或正余弦旋转编码器																
温度传感器	可选																
冷却方式	全封闭, 自冷却																
防护等级	IP65, 轴端 IP54																
使用环境	温度	-25~+40℃ (不结冰)															
	湿度	95%RH 以下 (无凝露)															
	环境	远离腐蚀、可燃性气体, 油滴, 灰尘															
	海拔	最高海拔 4000 米, 海拔超过 1000 米, 每增加 100 米, 功率减小 1.5%															
额定条件	温升	环境温度 40℃ 时, 机壳表面温升 60K															
电机绕组插座	1	2	3	4	5	6	7										
	U	V	W	制动器 (+)	制动器 (+)	NC	接地										
光电编码器	1	2	3	4	5	6	7	8	9	10	11	12	13	14	15	16	17
	DC +5V	0V	A +	A-	B	B-	温+	温-	U+	U-	V	V-	NC	Z+	Z-	W+	W-

110SMG 系列机身长度一览表 (单位: mm)

长度 L	无制动器		有制动器	
	编码器	旋转变压器	编码器	旋转变压器
4	168	163	228	223
5	185	180	245	240
6	202	197	262	257

110SMG 系列安装尺寸



伺服电机 (AC SERVO MOTOR)

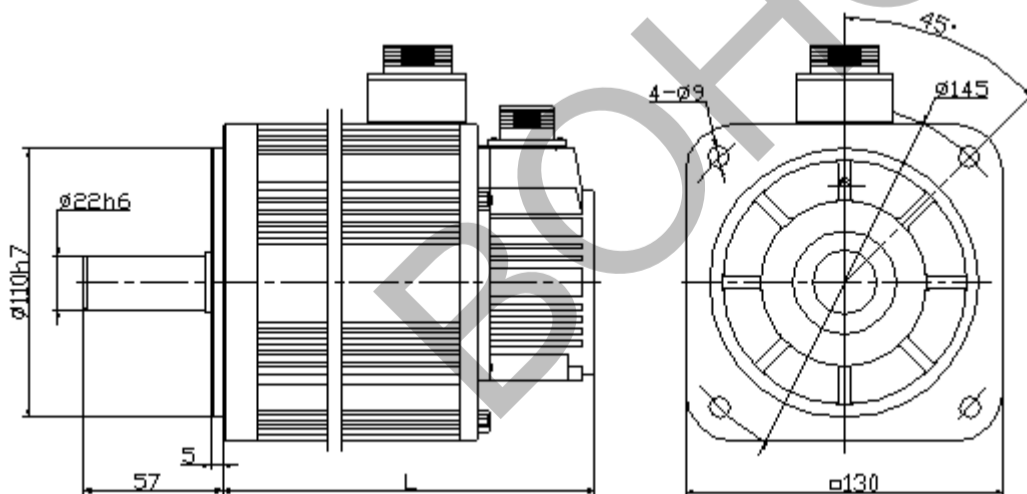
130SMG

伺服电动机型号	130SMG0 284208E NC-xx	130SMG0 284208E NC-xx	130SMG0 2126308 ENC-xx	130SMG0 2105208 ENC-xx	130SMG02 157308EN C-xx	130SMG0 2126208 ENC-xx	130SMG0 2188308 ENC-xx	130SMG0 2188308 ENC-xx									
额定功率 Pn (W)	840	1050	1260	1570	1570	2100	2400	3100									
额定转矩 Tn (N.m)	4	5	6	7.5	10	10	15	15									
额定转速 n (rpm)	2000	2000	23000	2000	1500	2000	1500	2000									
额定电流 In (A)	3.5	4.2	5.8	6	7.8	8.6	8.6	9.2									
瞬时最大转矩 Tm (N.m)	12	15	18	22.5	30	30	45	45									
瞬时最大电流 Im (A)	11	12.8	17.4	18	23.4	25.8	25.5	27.6									
连续静态转矩 Ts (N.m)	4.4	5.5	6.6	8	11	11	16	16									
连续静态电流 Is (A)	4.3	5.0	6.5	6.8	8.6	9.7	9.7	10.5									
转动惯量 Jm (Kg.cm)	6.2	7.4	8.5	9.6	12.45	13.58	19.2	20.37									
极数	8																
最大允许 du/dt (KV/μs)	8																
绝缘等级	F																
轴承径向力 Fr (N)	850																
轴承轴向力 Fa (N)	520																
重量 Kg	6.2		7.2			8.2											
位置反馈装置	2500ppr 光电编码器 (增量式) 或正余弦旋转编码器																
温度传感器	可选																
冷却方式	全封闭, 自冷却																
防护等级	IP65, 轴端 IP54																
使用环境	温度	-25~+40°C (不结冰)															
	湿度	95%RH 以下 (无凝露)															
	环境	远离腐蚀、可燃性气体, 油滴, 灰尘															
	海拔	最高海拔 4000 米, 海拔超过 1000 米, 每增加 100 米, 功率减小 1.5%															
额定条件	温升	环境温度 40°C 时, 机壳表面温升 60K															
电机绕组插座	1	2	3	4	5	6	7										
	U	V	W	制动器 (+)	制动器 (+)	NC	接地										
光电编码器	1	2	3	4	5	6	7	8	9	10	11	12	13	14	15	16	17
	DC +5V	0V	A +	A- +	B +	B- +	温+ +	温- +	U+ +	U- +	V+ +	V- +	NC	Z+ +	Z- +	W+ +	W- +

130SMG 系列机身长度一览表 (单位: mm)

长度 L	无制动器		有制动器	
	编码器	旋转变压器	编码器	旋转变压器
4	168	163	228	223
5	185	180	245	240
6	202	197	262	257

130SMG 系列安装尺寸



常州博宏电器有限公司

沈高芳 13646117381

地址: 常州市经济开发区潞城镇富民路 295 号

电话: 0519-88402182

传真: 0519-88403669

网址: <http://www.bohongmotor.com>

邮箱: bohongmotor@czbhdj.com